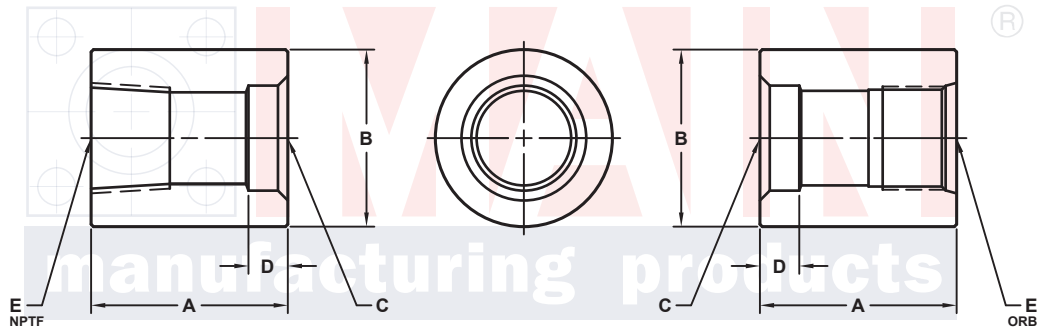
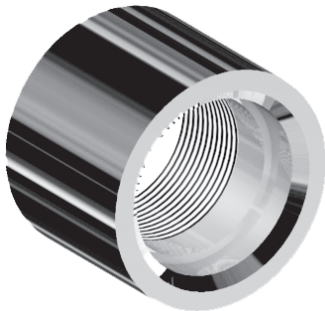


'MAIN' COUPLINGS

SOCKET WELD PIPE x NPTF

SIZE (C)	SIZE (E)	PART NUMBER	A	B	C	D	E NPTF	WT
1/2	1/2	1271-08-08	2.00	1.50	.860	.38	1/2	.8
3/4	3/4	1271-12-12	2.25	1.75	1.070	.50	3/4	1.1
1	1	1271-16-16	2.50	2.25	1.335	.50	1	2.0
1 1/4	1	1271-20-16	2.00	2.50	1.680	.50	1	2.0
1 1/4	1 1/4	1271-20-20	2.50	2.50	1.680	.50	1 1/4	2.2
1 1/2	1 1/2	1271-24-24	2.50	3.00	1.920	.50	1 1/2	3.2
1 1/2	2	1271-24-32	3.00	3.62	1.920	.50	2	6.2
2	2	1271-32-32	3.00	3.62	2.411	.62	2	5.5

MATERIAL:
Low Carbon Steel



Model 1271

Model 1273

3181 TRI-PARK DR. GRAND BLANC, MI 48439 800-521-7918 810-953-1380 FAX 810-953-1385 INFO@MAINMFG.COM

SOCKET WELD PIPE x SAE ORB

SIZE (C)	SIZE (E)	PART NUMBER	A	B	C	D	E ORB	WT
1/2	-8	1273-08-08	2.00	1.50	.860	.38	3/4-16	.8
3/4	-12	1273-12-12	2.25	1.75	1.070	.50	1 1/16-12	1.0
1	-12	1273-16-12	2.50	2.25	1.335	.50	1 1/16-12	1.9
1	-16	1273-16-16	2.50	2.25	1.335	.50	1 5/16-12	1.9
1	-20	1273-16-20	2.50	2.50	1.335	.50	1 5/8-12	2.4
1 1/4	-20	1273-20-20	2.50	2.50	1.680	.50	1 5/8-12	2.1
1 1/2	-24	1273-24-24	2.50	3.00	1.920	.50	1 7/8-12	3.1
2	-32	1273-32-32	3.00	3.62	2.411	.62	2 1/2-12	5.3

NOTE: The pressure rating of the assembly should not exceed the lower of the flange pad or the fitting. Check the fitting manufacturer for details.