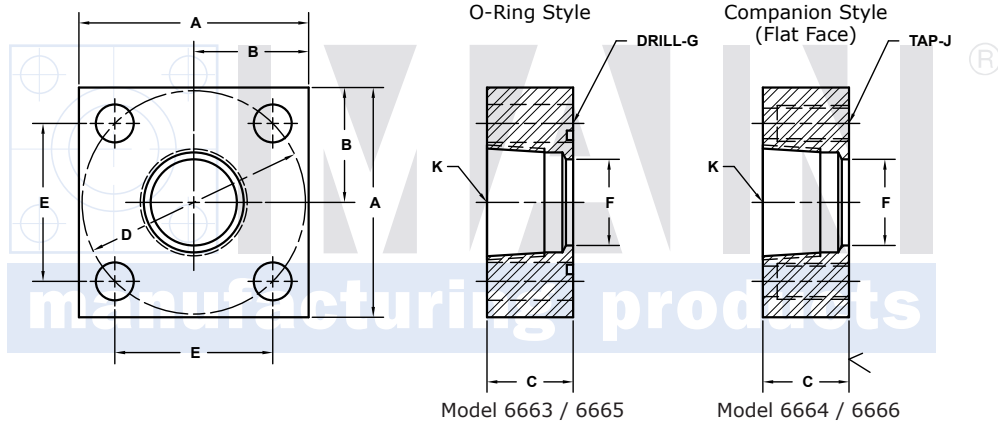


# NPTF THREADED IN-LINE FLANGES

ISO 6164			250 BAR SERIES												
FLANGE SIZE	PIPE SIZE	PART NUMBER	A	B	C	Dmm	E	F	Gmm		K	MOUNTING KIT®			WT
									Jmm			PART NO.	BOLT SIZE	O-RING	
<b>10</b>	<b>3/8</b>	6663-06-06DM	PLEASE USE THE 400 BAR SERIES FOUND BELOW. THE BLOCK SIZE, BOLT PATTERN AND THE O-RING ARE IDENTICAL IN FLANGE SIZES 10 - 38. IF YOU HAVE ANY QUESTIONS PLEASE CALL ENGINEERING AT 1-800-521-7918.  MOUNTING KITS listed contain carbon steel bolts and Buna N O-Ring. To specify stainless Grade 18-8 bolts, add an SS at the end of the kit number (MK 501SS). <b>Please note that using stainless steel bolts may reduce the pressure rating of the assembly.</b>												
		6664-06-06DM													
<b>13</b>	<b>1/2</b>	6663-08-08DM													
		6664-08-08DM													
<b>19</b>	<b>3/4</b>	6663-12-12DM													
		6664-12-12DM													
<b>25</b>	<b>1</b>	6663-16-16DM													
		6664-16-16DM													
<b>32</b>	<b>1 1/4</b>	6663-20-20DM													
		6664-20-20DM													
<b>38</b>	<b>1 1/2</b>	6663-24-24DM													
		6664-24-24DM													
<b>51</b>	<b>2</b>	6663-32-32DM	4.00	2.00	1.75	98	2.728	1.94	17.5	2	MKM 3531	M16 x 65	228	5.0	
		6664-32-32DM							M16x2						
<b>56</b>	<b>2 1/2</b>	6663-40-40DM	4.75	2.38	2.00	118	3.285	2.44	22.0	2 1/2	MKM 5573	M20 x 80	232	8.0	
		6664-40-40DM							M20x2.5						
<b>63</b>	<b>3</b>	6663-48-48DM	5.50	2.75	2.25	145	4.037	2.94	22.0	3	MKM 5558	M20 x 90	237	13.0	
		6664-48-48DM							M20x2.5						

**MATERIAL:**  
**316L Stainless**



3181 TRI-PARK DR. GRAND BLANC, MI 48439 800-521-7918 810-953-1380 FAX 810-953-1385 INFO@MAINMFG.COM

ISO 6164			400 BAR SERIES												
FLANGE SIZE	PIPE SIZE	PART NUMBER	A	B	C	Dmm	E	F	Gmm		K	MOUNTING KIT®			WT
									Jmm			PART NO.	BOLT SIZE	O-RING	
<b>10</b>	<b>3/8</b>	6665-06-06DM	1.50	.75	1.25	35	.974	.44	6.5	3/8	MKM 5564	M6 x 40	115	.7	
		M6x1													
<b>13</b>	<b>1/2</b>	6665-08-08DM	1.75	.88	1.25	42	1.170	.50	9.0	1/2	MKM 519	M8 x 45	210	.9	
		M8x1.25													
<b>19</b>	<b>3/4</b>	6665-12-12DM	2.00	1.00	1.25	50	1.392	.75	9.0	3/4	MKM 5565	M8 x 45	214	1.2	
		M8x1.25													
<b>25</b>	<b>1</b>	6665-16-16DM	2.50	1.25	1.50	62	1.726	1.00	11.0	1	MKM 5566	M10 x 55	219	2.1	
		M10x1.5													
<b>32</b>	<b>1 1/4</b>	6665-20-20DM	3.00	1.50	1.50	73	2.032	1.25	13.5	1 1/4	MKM 522	M12 x 55	222	2.9	
		M12x1.75													
<b>38</b>	<b>1 1/2</b>	6665-24-24DM	3.50	1.75	1.75	85	2.366	1.50	17.5	1 1/2	MKM 527	M16 x 65	225	4.4	
		M16x2													
<b>51</b>	<b>2</b>	6665-32-32DM	4.00	2.00	1.75	98	2.728	1.69	17.5	2	MKM 6503	M16 x 70	331	5.5	
		M16x2													
<b>56</b>	<b>2 1/2</b>	6665-40-40DM	4.75	2.38	2.00	118	3.285	2.12	22.0	2 1/2	MKM 5538	M20 x 80	335	8.6	
		M20x2.5													
<b>63</b>	<b>3</b>	6665-48-48DM	6.00	3.00	2.50	145	4.037	2.32	26.0	3	MKM 5567	M24 x 100	337	18.0	
		M24x3													
<b>70</b>	<b>3 1/2</b>	6665-56-56DM	6.50	3.25	2.50	160	4.454	2.73	26.0	3 1/2	MKM 5562	M24 x 100	340	21.0	
		M24x3													
<b>80</b>	<b>4</b>	6665-64-64DM	7.00	3.50	2.85	175	4.872	3.15	33.0	4	MKM 5563	M30 x 120	341	25.5	
		M30x3.5													

① Order Separately