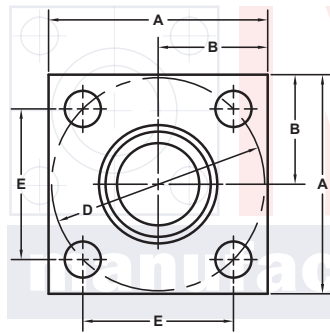
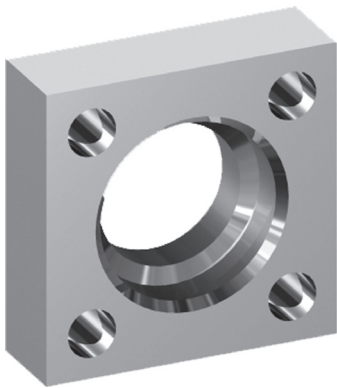


SOCKET WELD PIPE IN-LINE FLANGES

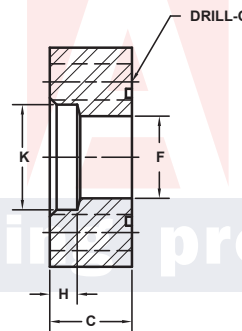
ISO 6164 BOLT PATTERN										250 BAR SERIES																		
FLANGE SIZE	PIPE SIZE	PART NUMBER	A	B	C	Dmm	E	F	Gmm Jmm	H	K	MOUNTING KIT®			WT													
												PART NO.	SCREW SIZE	O-RING														
10	3/8	6631-06-06DM	PLEASE USE THE 400 BAR SERIES FOUND BELOW. THE BLOCK SIZE, BOLT PATTERN AND THE O-RING ARE IDENTICAL IN FLANGE SIZES 10 - 38. IF YOU HAVE ANY QUESTIONS PLEASE CALL ENGINEERING AT 1-800-521-7918.																									
		6632-06-06DM																										
13	1/2	6631-08-08DM																										
		6632-08-08DM																										
19	3/4	6631-12-12DM																										
		6632-12-12DM																										
25	1	6631-16-16DM																										
		6632-16-16DM																										
32	1 1/4	6631-20-20DM																										
		6632-20-20DM																										
38	1 1/2	6631-24-24DM																										
		6632-24-24DM																										
51	2	6631-32-32DM														4.00	2.00	1.60	98	2.728	1.94	17.5	.62	2.411	MKM 3531	M16 x 65	228	4.9
		6632-32-32DM																				M16x2						
56	2 1/2	6631-40-40DM	4.75	2.38	1.88	118	3.285	2.44	22.0	.75	2.911	MKM 5573	M20 x 80	232	7.8													
		6632-40-40DM							M20x2.5																			
63	3	6631-48-48DM	5.50	2.75	2.28	145	4.037	2.94	22.0	.75	3.540	MKM 5558	M20 x 90	237	12.8													
		6632-48-48DM							M20x2.5																			

MOUNTING KITS listed contain carbon steel bolts and Buna N O-Ring. To specify stainless Grade 18-8 bolts, add an SS at the end of the kit number (MK 501SS).
Please note that using stainless steel bolts may reduce the pressure rating of the assembly.

MATERIAL:
316L Stainless

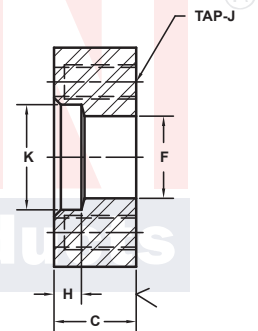


O-Ring Style



Model 6631 / 6635

Companion Style (Flat Face)



Model 6632 / 6636

3181 TRI-PARK DR. GRAND BLANC, MI 48439 800-521-7918 810-953-1380 FAX 810-953-1385 INFO@MAINMFG.COM

ISO 6164 BOLT PATTERN										400 BAR SERIES																																									
FLANGE SIZE	PIPE SIZE	PART NUMBER	A	B	C	Dmm	E	F	Gmm Jmm	H	K	MOUNTING KIT®			WT																																				
												PART NO.	SCREW SIZE	O-RING																																					
10	3/8	6635-06-06DM	1.50	.75	.73	35	.974	.44	6.5	.38	.688	MKM 5546	M6 x 30	115	.4																																				
		6636-06-06DM							M6x1																																										
13	1/2	6635-08-08DM							1.75	.88	.81	42	1.170	.50	9.0	.50	.860	MKM 512	M8 x 35	210	.5																														
		6636-08-08DM													M8x1.25																																				
19	3/4	6635-12-12DM													2.00	1.00	.90	50	1.392	.75	9.0	.50	1.070	MKM 5559	M8 x 35	214	.7																								
		6636-12-12DM																			M8x1.25																														
25	1	6635-16-16DM																			2.50	1.25	1.00	62	1.726	1.00	11.0	.50	1.335	MKM 503	M10 x 40	219	1.3																		
		6636-16-16DM																									M10x1.5																								
32	1 1/4	6635-20-20DM																									3.00	1.50	1.20	73	2.032	1.25	13.5	.50	1.680	MKM 1502	M12 x 50	222	2.2												
		6636-20-20DM																															M12x1.75																		
38	1 1/2	6635-24-24DM																															3.50	1.75	1.44	85	2.366	1.50	17.5	.62	1.920	MKM 515	M16 x 60	225	3.4						
		6636-24-24DM																																					M16x2												
51	2	6635-32-32DM																																					4.00	2.00	1.60	98	2.728	1.69	17.5	.62	2.411	MKM 5560	M16 x 65	331	5.0
		6636-32-32DM																																											M16x2						
56	2 1/2	6635-40-40DM	4.75	2.38	1.98	118	3.285	2.12																																					22.0	.75	2.911	MKM 5538	M20 x 80	335	8.5
		6636-40-40DM																																											M20x2.5						
63	3	6635-48-48DM							6.00	3.00	2.12	145	4.037	2.32																															26.0	.75	3.540	MKM 5561	M24 x 90	337	15.6
		6636-48-48DM																																											M24x3						
70	3 1/2	6635-56-56DM													6.50	3.25	2.46	160	4.454	2.73																									26.0	.75	4.045	MKM 5562	M24 x 100	340	21.3
		6636-56-56DM																																											M24x3						
80	4	6635-64-64DM																			7.00	3.50	2.85	175	4.872	3.15																			33.0	.75	4.550	MKM 5563	M30 x 120	341	26.8
		6636-64-64DM																																											M30x3.5						

① Order Separately