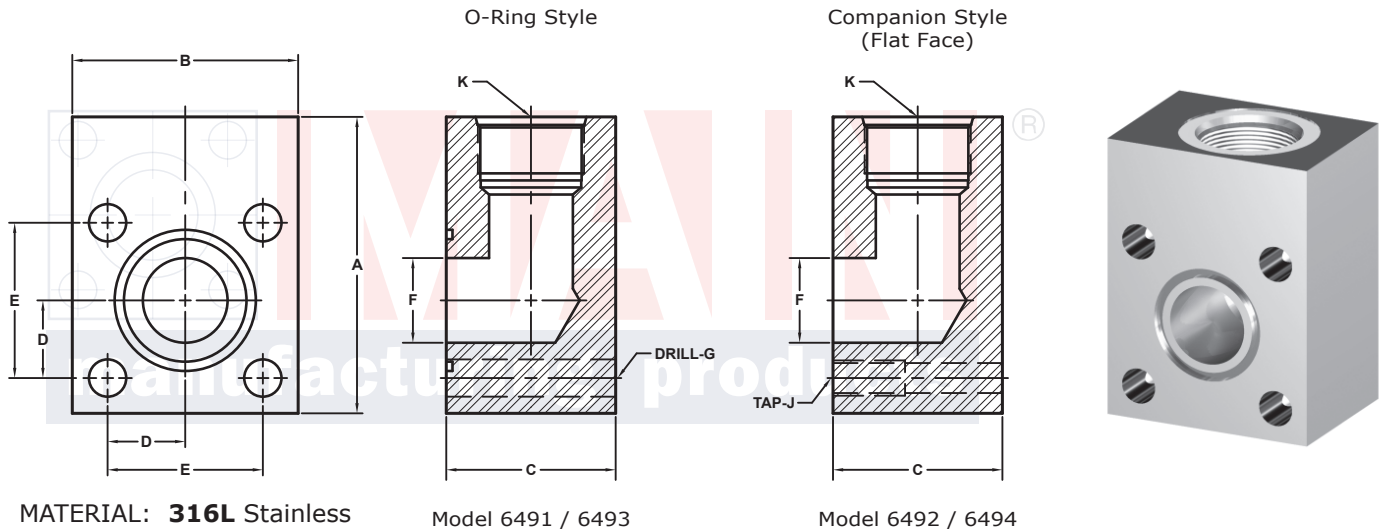


SAE J1926 THREADED ELBOW FLANGES

3000 SERIES SQUARE BOLT PATTERN

| FLANGE SIZE | PORT SIZE | PART NUMBER | A | B | C | D | E | F | G | | K | MOUNTING KIT ^① | | | WT |
|-------------|-----------|-------------|------|------|------|-------|-------|------|---|-----|-----------|---------------------------|----------------|--------|------|
| | | | | | | | | | J | | | PART NO. | BOLT SIZE | O-RING | |
| 1/2 | -8 | 6491-08-08D | 3.50 | 2.25 | 1.50 | .719 | 1.438 | .50 | | .41 | 3/4-16 | MK 532 | 3/8-16 x 2 1/4 | 216 | 1.8 |
| | | 3/8-16 | | | | | | | | | | | | | |
| 3/4 | -10 | 6491-12-10D | 3.50 | 2.25 | 1.75 | .719 | 1.438 | .62 | | .41 | 7/8-14 | MK 4585 | 3/8-16 x 2 1/2 | 216 | 3.0 |
| | | 3/8-16 | | | | | | | | | | | | | |
| 3/4 | -12 | 6491-12-12D | 3.50 | 2.25 | 1.75 | .719 | 1.438 | .75 | | .41 | 1 1/16-12 | MK 4585 | 3/8-16 x 2 1/2 | 216 | 4.8 |
| | | 3/8-16 | | | | | | | | | | | | | |
| 1 | -14 | 6491-16-14D | 4.12 | 3.00 | 2.00 | 1.000 | 2.000 | .88 | | .53 | 1 3/16-12 | MK 533 | 1/2-13 x 2 3/4 | 222 | 7.3 |
| | | 1/2-13 | | | | | | | | | | | | | |
| 1 | -16 | 6491-16-16D | 4.12 | 3.00 | 2.00 | 1.000 | 2.000 | 1.00 | | .53 | 1 5/16-12 | MK 533 | 1/2-13 x 2 3/4 | 222 | 10.2 |
| | | 1/2-13 | | | | | | | | | | | | | |
| 1 1/4 | -20 | 6491-20-20D | 4.12 | 3.00 | 2.50 | 1.000 | 2.000 | 1.25 | | .53 | 1 5/8-12 | MK 552 | 1/2-13 x 3 1/4 | 222 | 11.5 |
| | | 1/2-13 | | | | | | | | | | | | | |
| 1 1/2 | -24 | 6491-24-24D | 5.25 | 4.00 | 3.00 | 1.375 | 2.750 | 1.50 | | .66 | 1 7/8-12 | MK 535 | 5/8-11 x 4 | 228 | 10.2 |
| | | 5/8-11 | | | | | | | | | | | | | |
| 2 | -32 | 6491-32-32D | 5.25 | 4.00 | 4.00 | 1.375 | 2.750 | 1.94 | | .66 | 2 1/2-12 | MK 575 | 5/8-11 x 5 | 228 | 11.5 |
| | | 5/8-11 | | | | | | | | | | | | | |

MOUNTING KITS listed contain carbon steel bolts and Buna N O-Ring. To specify stainless Grade 18-8 bolts, add an SS at the end of the kit number (MK 501SS). **Please note that using stainless steel bolts may reduce the pressure rating of the assembly.**



3181 TRI-PARK DR. GRAND BLANC, MI 48439 800-521-7918 810-953-1380 FAX 810-953-1385 INFO@MAINMFG.COM

6000 SERIES SQUARE BOLT PATTERN

| FLANGE SIZE | PORT SIZE | PART NUMBER | A | B | C | D | E | F | G | | K | MOUNTING KIT ^① | | | WT |
|-------------|-----------|-------------|------|------|------|-------|-------|------|---|-----|-----------|---------------------------|----------------|--------|------|
| | | | | | | | | | J | | | PART NO. | BOLT SIZE | O-RING | |
| 1/2 | -8 | 6493-08-08D | 3.00 | 2.25 | 1.50 | .719 | 1.438 | .50 | | .41 | 3/4-16 | MK 5515 | 3/8-16 x 2 1/4 | 210 | 2.0 |
| | | 3/8-16 | | | | | | | | | | | | | |
| 3/4 | -12 | 6493-12-12D | 3.50 | 2.50 | 1.75 | .875 | 1.750 | .75 | | .41 | 1 1/16-12 | MK 542 | 3/8-16 x 2 1/2 | 214 | 3.3 |
| | | 3/8-16 | | | | | | | | | | | | | |
| 1 | -16 | 6493-16-16D | 4.50 | 3.00 | 2.00 | 1.000 | 2.000 | 1.00 | | .53 | 1 5/16-12 | MK 5516 | 1/2-13 x 2 3/4 | 219 | 5.7 |
| | | 1/2-13 | | | | | | | | | | | | | |
| 1 1/4 | -20 | 6493-20-20D | 5.00 | 4.00 | 3.00 | 1.375 | 2.750 | 1.25 | | .66 | 1 5/8-12 | MK 5517 | 5/8-11 x 4 | 222 | 9.0 |
| | | 5/8-11 | | | | | | | | | | | | | |
| 1 1/2 | -24 | 6493-24-24D | 5.00 | 4.00 | 3.00 | 1.375 | 2.750 | 1.50 | | .66 | 1 7/8-12 | MK 553 | 5/8-11 x 4 | 225 | 13.0 |
| | | 5/8-11 | | | | | | | | | | | | | |
| 2 | -32 | 6493-32-32D | 6.50 | 5.00 | 4.00 | 1.750 | 3.500 | 1.94 | | .78 | 2 1/2-12 | MK 4580 | 3/4-10 x 5 1/2 | 228 | 22.8 |
| | | 3/4-10 | | | | | | | | | | | | | |

① Order Separately

NOTE: The pressure rating of the assembly should not exceed the lower of the flange pad or the fitting. Check the fitting manufacturer for details.