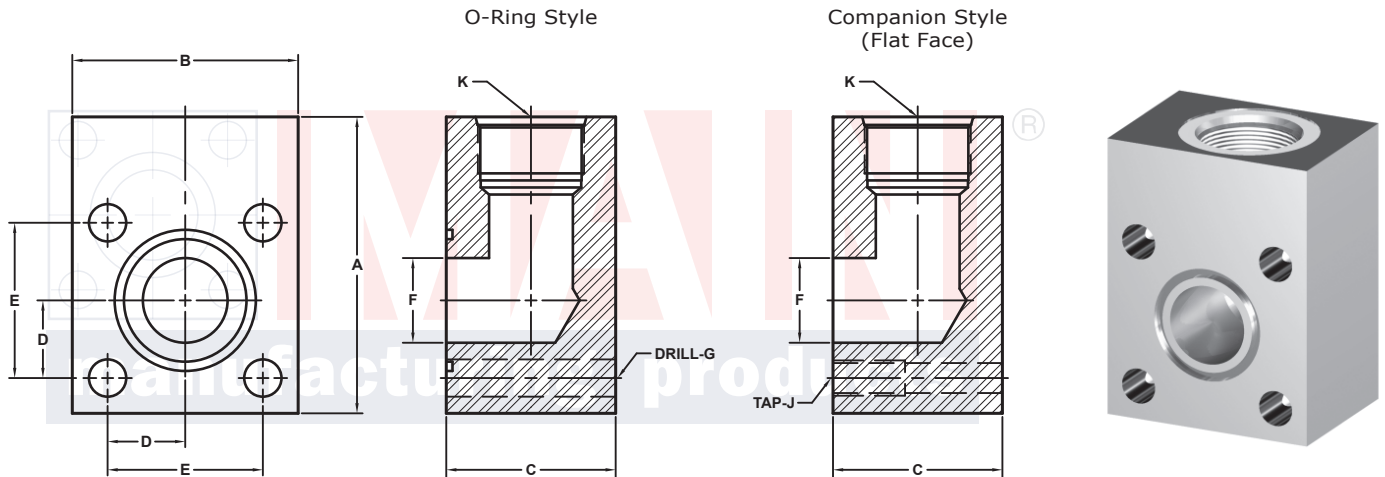


SAE J1926 THREADED ELBOW FLANGES

3000 SERIES SQUARE BOLT PATTERN

FLANGE SIZE	PORT SIZE	PART NUMBER	A	B	C	D	E	F	G		K	MOUNTING KIT ^①			WT
									J			PART NO.	BOLT SIZE	O-RING	
1/2	-8	1491-08-08	3.50	2.25	1.50	.719	1.438	.50	.41	3/4-16	MK 532	3/8-16 x 2 1/4	216	1.8	
		1492-08-08							3/8-16						
3/4	-10	1491-12-10	3.50	2.25	1.75	.719	1.438	.62	.41	7/8-14	MK 4585	3/8-16 x 2 1/2	216	3.0	
		1492-12-10							3/8-16						
3/4	-12	1491-12-12	3.50	2.25	1.75	.719	1.438	.75	.41	1 1/16-12	MK 4585	3/8-16 x 2 1/2	216	4.8	
		1492-12-12							3/8-16						
1	-14	1491-16-14	4.12	3.00	2.00	1.000	2.000	.88	.53	1 3/16-12	MK 533	1/2-13 x 2 3/4	222	7.3	
		1492-16-14							1/2-13						
1	-16	1491-16-16	4.12	3.00	2.00	1.000	2.000	1.00	.53	1 5/16-12	MK 533	1/2-13 x 2 3/4	222	10.2	
		1492-16-16							1/2-13						
1 1/4	-20	1491-20-20	4.12	3.00	2.50	1.000	2.000	1.25	.53	1 5/8-12	MK 552	1/2-13 x 3 1/4	222	11.5	
		1492-20-20							1/2-13						
1 1/2	-24	1491-24-24	5.25	4.00	3.00	1.375	2.750	1.50	.66	1 7/8-12	MK 535	5/8-11 x 4	228	10.2	
		1492-24-24							5/8-11						
2	-32	1491-32-32	5.25	4.00	4.00	1.375	2.750	1.94	.66	2 1/2-12	MK 575	5/8-11 x 5	228	11.5	
		1492-32-32							5/8-11						



MATERIAL: **Low Carbon Steel** ^⑤

Model 1491 / 1493

Model 1492 / 1494

3181 TRI-PARK DR. GRAND BLANC, MI 48439 800-521-7918 810-953-1380 FAX 810-953-1385 INFO@MAINMFG.COM

6000 SERIES SQUARE BOLT PATTERN

FLANGE SIZE	PORT SIZE	PART NUMBER	A	B	C	D	E	F	G		K	MOUNTING KIT ^①			WT
									J			PART NO.	BOLT SIZE	O-RING	
1/2	-8	1493-08-08	3.00	2.25	1.50	.719	1.438	.50	.41	3/4-16	MK 5515	3/8-16 x 2 1/4	210	2.0	
		1494-08-08							3/8-16						
3/4	-12	1493-12-12	3.50	2.50	1.75	.875	1.750	.75	.41	1 1/16-12	MK 542	3/8-16 x 2 1/2	214	3.3	
		1494-12-12							3/8-16						
1	-16	1493-16-16	4.50	3.00	2.00	1.000	2.000	1.00	.53	1 5/16-12	MK 5516	1/2-13 x 2 3/4	219	5.7	
		1494-16-16							1/2-13						
1 1/4	-20	1493-20-20	5.00	4.00	3.00	1.375	2.750	1.25	.66	1 5/8-12	MK 5517	5/8-11 x 4	222	9.0	
		1494-20-20							5/8-11						
1 1/2	-24	1493-24-24	5.00	4.00	3.00	1.375	2.750	1.50	.66	1 7/8-12	MK 553	5/8-11 x 4	225	13.0	
		1494-24-24							5/8-11						
2	-32	1493-32-32	6.50	5.00	4.00	1.750	3.500	1.94	.78	2 1/2-12	MK 4580	3/4-10 x 5 1/2	228	22.8	
		1494-32-32							3/4-10						

① Order Separately

⑤ May Contain Lead

NOTE: The pressure rating of the assembly should not exceed the lower of the flange pad or the fitting. Check the fitting manufacturer for details.