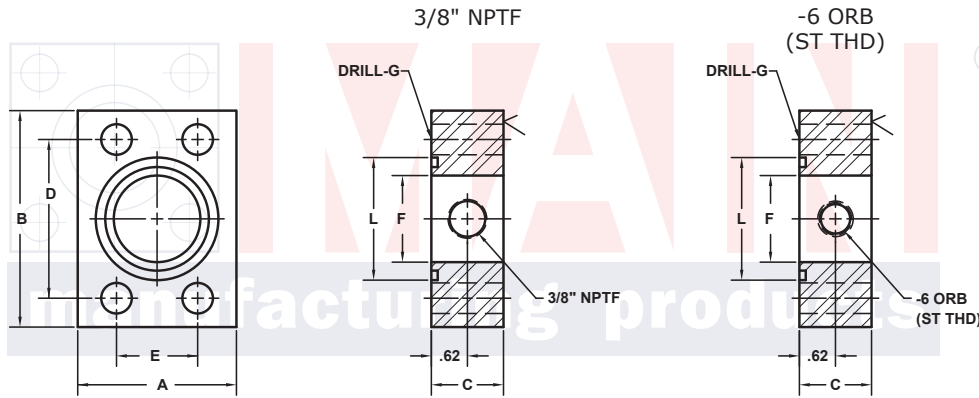


GAUGE PORT ADAPTERS

3/8" GAUGE PORTS

SAE BOLT PATTERN			61 SERIES									
FLANGE SIZE	PIPE SIZE	PART NUMBER	A	B	C	D	E	F	G	L	O-RING ^①	WT
1/2	NA	6291-08-08D	1.50	2.12	1.25	1.500	.688	.50	.34	1.000	210	1.0
		6293-08-08D										
3/4	NA	6291-12-12D	1.75	2.62	1.25	1.875	.875	.75	.41	1.250	214	1.2
		6293-12-12D										
1	NA	6291-16-16D	2.00	2.82	1.25	2.062	1.031	1.00	.41	1.562	219	1.5
		6293-16-16D										
1 1/4	NA	6291-20-20D	2.50	3.19	1.25	2.312	1.188	1.25	.47	1.750	222	2.1
		6293-20-20D										
1 1/2	NA	6291-24-24D	2.75	3.75	1.25	2.750	1.406	1.50	.53	2.125	225	2.6
		6293-24-24D										
2	NA	6291-32-32D	3.25	4.00	1.25	3.062	1.688	1.94	.53	2.500	228	3.2
		6293-32-32D										
2 1/2 ^②	NA	6291-40-40D	4.00	4.50	1.25	3.500	2.000	2.44	.53	3.000	232	4.3
		6293-40-40D										
3 ^③	NA	6291-48-48D	4.50	5.31	1.25	4.188	2.438	2.94	.66	3.625	237	5.5
		6293-48-48D										

MATERIAL:
316L Stainless



3181 TRI-PARK DR. GRAND BLANC, MI 48439 800-521-7918 810-953-1380 FAX 810-953-1385 INFO@MAINMFG.COM

SAE BOLT PATTERN			62 SERIES									
FLANGE SIZE	PIPE SIZE	PART NUMBER	A	B	C	D	E	F	G	L	O-RING ^①	WT
1/2	NA	6292-08-08D	1.75	2.22	1.25	1.594	.718	.50	.34	1.000	210	1.2
		6294-08-08D										
3/4	NA	6292-12-12D	2.00	2.81	1.25	2.000	.937	.75	.41	1.250	214	1.6
		6294-12-12D										
1	NA	6292-16-16D	2.25	3.19	1.25	2.250	1.093	1.00	.47	1.562	219	1.9
		6294-16-16D										
1 1/4	NA	6292-20-20D	2.75	3.75	1.25	2.625	1.250	1.25	.53	1.750	222	2.8
		6294-20-20D										
1 1/2	NA	6292-24-24D	3.25	4.50	1.25	3.125	1.437	1.50	.66	2.125	225	4.0
		6294-24-24D										
2	NA	6292-32-32D	4.00	5.25	1.25	3.812	1.750	1.94	.78	2.500	228	5.6
		6294-32-32D										

① Includes Buna-N O-Ring ② 2500 PSI Max ③ 2000 PSI Max