

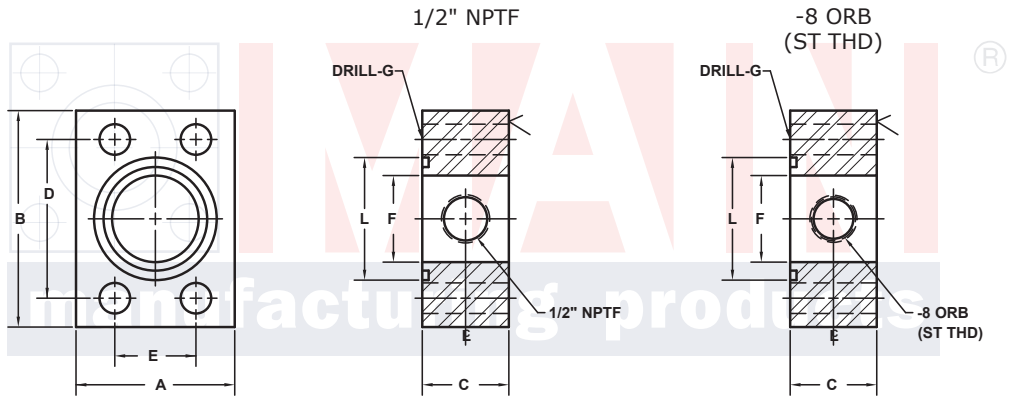
GAUGE PORT ADAPTERS

1/2" GAUGE PORTS

SAE J518 61 SERIES / ISO6162-1 PATTERN

FLANGE SIZE	PIPE SIZE	PART NUMBER	A	B	C	D	E	F	Gmm	L	O-RING ^①	WT
1/2	NA	6295-08-08DM8	USE PART # 6197-08-08DM8								210	
		6297-08-08DM8	USE PART # 6201-08-08DM8									
3/4	NA	6295-12-12DM10	USE PART # 6197-12-08DM10								214	
		6297-12-12DM10	USE PART # 6201-12-08DM10									
1	NA	6295-16-16DM10	2.00	2.82	1.50	2.062	1.031	1.00	10.5	1.562	219	1.7
		6297-16-16DM10										
1 1/4	NA	6295-20-20DM10†	2.50	3.19	1.50	2.312	1.188	1.25	10.5	1.750	222	2.5
		6297-20-20DM10†										
1 1/2	NA	6295-24-24DM12‡	2.75	3.75	1.50	2.750	1.406	1.50	13.0	2.125	225	3.2
		6297-24-24DM12‡										
2	NA	6295-32-32DM12‡	3.25	4.00	1.50	3.062	1.688	1.94	13.0	2.500	228	3.8
		6297-32-32DM12‡										
2 1/2 ^②	NA	6295-40-40DM12‡	4.00	4.50	1.75	3.500	2.000	2.44	13.0	3.000	232	6.0
		6297-40-40DM12‡										
3 ^③	NA	6295-48-48DM16	4.50	5.31	2.00	4.188	2.438	2.94	17.0	3.625	237	8.8
		6297-48-48DM16										

MATERIAL:
316L Stainless



Model 6295 / 6296

Model 6297 / 6298

3181 TRI-PARK DR. GRAND BLANC, MI 48439 800-521-7918 810-953-1380 FAX 810-953-1385 INFO@MAINMFG.COM

SAE J518 62 SERIES / ISO6162-2 PATTERN

FLANGE SIZE	PIPE SIZE	PART NUMBER	A	B	C	D	E	F	Gmm	L	O-RING ^①	WT
1/2	NA	6296-08-08DM8	USE PART # 6199-08-08DM8								210	
		6298-08-08DM8	USE PART # 6203-08-08DM8									
3/4	NA	6296-12-12DM10	USE PART # 6199-12-08DM10								214	
		6298-12-12DM10	USE PART # 6203-12-08DM10									
1	NA	6296-16-16DM12	2.25	3.19	1.50	2.250	1.093	1.00	12.5	1.562	219	2.3
		6298-16-16DM12										
1 1/4	NA	6296-20-20DM12‡	3.00	3.75	1.50	2.625	1.250	1.25	13.0	1.750	222	3.8
		6298-20-20DM12‡										
1 1/2	NA	6296-24-24DM16	3.25	4.50	1.50	3.125	1.437	1.50	17.0	2.125	225	4.7
		6298-24-24DM16										
2	NA	6296-32-32DM20	4.00	5.25	1.75	3.812	1.750	1.94	21.0	2.500	228	7.8
		6298-32-32DM20										

① Includes Buna-N O-Ring ② 2500 PSI Max ③ 2000 PSI Max