

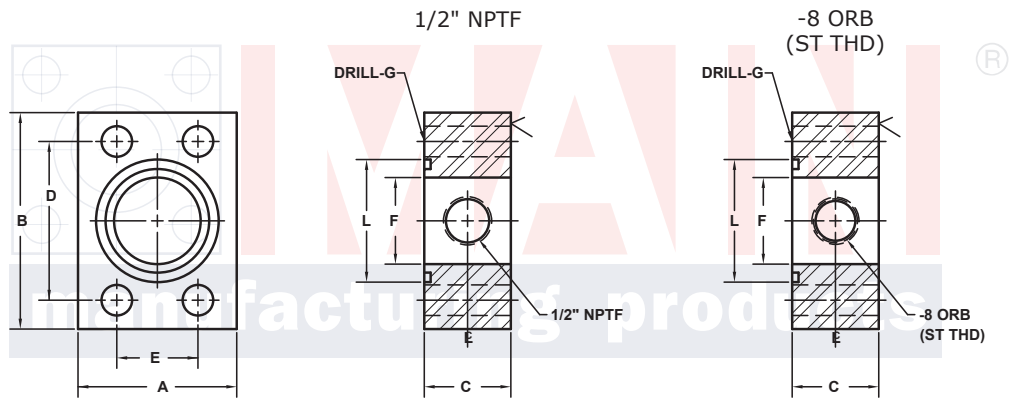
GAUGE PORT ADAPTERS

1/2" GAUGE PORTS

SAE J518 61 SERIES / ISO6162-1 PATTERN

FLANGE SIZE	PIPE SIZE	PART NUMBER	A	B	C	D	E	F	Gmm	L	O-RING ^①	WT
1/2	NA	1295-08-08M8	USE PART # 1197-08-08M8								210	
		1297-08-08M8	USE PART # 1201-08-08M8									
3/4	NA	1295-12-12M10	USE PART # 1197-12-08M10								214	
		1297-12-12M10	USE PART # 1201-12-08M10									
1	NA	1295-16-16M10	2.00	2.82	1.50	2.062	1.031	1.00	10.5	1.562	219	1.7
		1297-16-16M10										
1 1/4	NA	1295-20-20M10†	2.50	3.19	1.50	2.312	1.188	1.25	10.5	1.750	222	2.5
		1297-20-20M10†										
1 1/2	NA	1295-24-24M12‡	2.75	3.75	1.50	2.750	1.406	1.50	13.0	2.125	225	3.2
		1297-24-24M12‡										
2	NA	1295-32-32M12‡	3.25	4.00	1.50	3.062	1.688	1.94	13.0	2.500	228	3.8
		1297-32-32M12‡										
2 1/2 ^②	NA	1295-40-40M12‡	4.00	4.50	1.75	3.500	2.000	2.44	13.0	3.000	232	6.0
		1297-40-40M12‡										
3 ^③	NA	1295-48-48M16	4.50	5.31	2.00	4.188	2.438	2.94	17.0	3.625	237	8.8
		1297-48-48M16										

MATERIAL:
Low Carbon Steel^⑤



Model 1295 / 1296

Model 1297 / 1298

3181 TRI-PARK DR. GRAND BLANC, MI 48439 800-521-7918 810-953-1380 FAX 810-953-1385 INFO@MAINMFG.COM

SAE J518 62 SERIES / ISO6162-2 PATTERN

FLANGE SIZE	PIPE SIZE	PART NUMBER	A	B	C	D	E	F	Gmm	L	O-RING ^①	WT
1/2	NA	1296-08-08M8	USE PART # 1199-08-08M8								210	
		1298-08-08M8	USE PART # 1203-08-08M8									
3/4	NA	1296-12-12M10	USE PART # 1199-12-08M10								214	
		1298-12-12M10	USE PART # 1203-12-08M10									
1	NA	1296-16-16M12	2.25	3.19	1.50	2.250	1.093	1.00	12.5	1.562	219	2.3
		1298-16-16M12										
1 1/4	NA	1296-20-20M12‡	3.00	3.75	1.50	2.625	1.250	1.25	13.0	1.750	222	3.8
		1298-20-20M12‡										
1 1/2	NA	1296-24-24M16	3.25	4.50	1.50	3.125	1.437	1.50	17.0	2.125	225	4.7
		1298-24-24M16										
2	NA	1296-32-32M20	4.00	5.25	1.75	3.812	1.750	1.94	21.0	2.500	228	7.8
		1298-32-32M20										

① Includes Buna-N O-Ring ② 2500 PSI Max ③ 2000 PSI Max

⑤ May Contain Lead