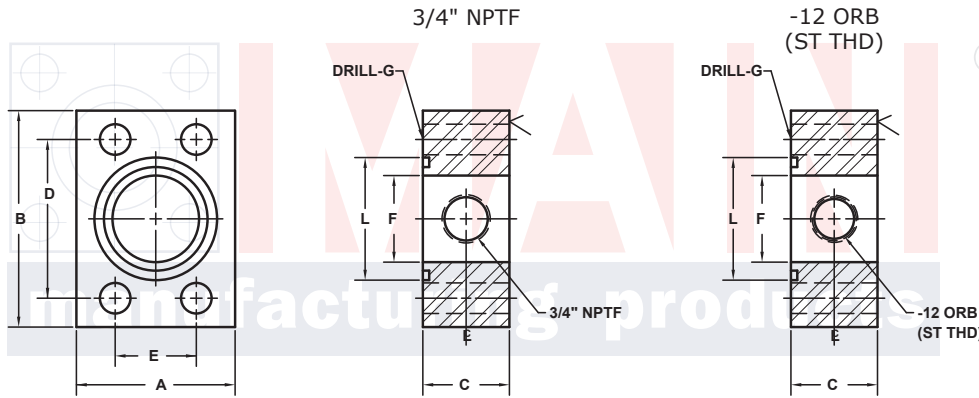


GAUGE PORT ADAPTERS

3/4" GAUGE PORTS

| SAE BOLT PATTERN | | | 61 SERIES | | | | | | | | | | |
|--------------------|-----------|-------------|------------------------|------|------|-------|-------|------|-----|-------|---------------------|-----|--|
| FLANGE SIZE | PIPE SIZE | PART NUMBER | A | B | C | D | E | F | G | L | O-RING ^① | WT | |
| 1/2 | NA | 6299-08-08D | USE PART # 6197-08-12D | | | | | | | | | 210 | |
| | | 6301-08-08D | USE PART # 6201-08-12D | | | | | | | | | | |
| 3/4 | NA | 6299-12-12D | USE PART # 6197-12-12D | | | | | | | | | 214 | |
| | | 6301-12-12D | USE PART # 6201-12-12D | | | | | | | | | | |
| 1 | NA | 6299-16-16D | USE PART # 6197-16-12D | | | | | | | | | 219 | |
| | | 6301-16-16D | USE PART # 6201-16-12D | | | | | | | | | | |
| 1 1/4 | NA | 6299-20-20D | 2.50 | 3.19 | 1.75 | 2.312 | 1.188 | 1.25 | .47 | 1.750 | 222 | 2.8 | |
| | | 6301-20-20D | | | | | | | | | | | |
| 1 1/2 | NA | 6299-24-24D | 2.75 | 3.75 | 1.75 | 2.750 | 1.406 | 1.50 | .53 | 2.125 | 225 | 3.6 | |
| | | 6301-24-24D | | | | | | | | | | | |
| 2 | NA | 6299-32-32D | 3.25 | 4.00 | 1.75 | 3.062 | 1.688 | 1.94 | .53 | 2.500 | 228 | 4.3 | |
| | | 6301-32-32D | | | | | | | | | | | |
| 2 1/2 ^② | NA | 6299-40-40D | 4.00 | 4.50 | 1.75 | 3.500 | 2.000 | 2.44 | .53 | 3.000 | 232 | 6.0 | |
| | | 6301-40-40D | | | | | | | | | | | |
| 3 ^③ | NA | 6299-48-48D | 4.50 | 5.31 | 2.00 | 4.188 | 2.438 | 2.94 | .66 | 3.625 | 237 | 8.7 | |
| | | 6301-48-48D | | | | | | | | | | | |

MATERIAL:
316L Stainless



Model 6299 / 6300

Model 6301 / 6302



3181 TRI-PARK DR. GRAND BLANC, MI 48439 800-521-7918 810-953-1380 FAX 810-953-1385 INFO@MAINMFG.COM

| SAE BOLT PATTERN | | | 62 SERIES | | | | | | | | | | |
|------------------|-----------|-------------|------------------------|------|------|-------|-------|------|-----|-------|---------------------|-----|--|
| FLANGE SIZE | PIPE SIZE | PART NUMBER | A | B | C | D | E | F | G | L | O-RING ^① | WT | |
| 1/2 | NA | 6300-08-08D | USE PART # 6199-08-12D | | | | | | | | | 210 | |
| | | 6302-08-08D | USE PART # 6203-08-12D | | | | | | | | | | |
| 3/4 | NA | 6300-12-12D | USE PART # 6199-12-12D | | | | | | | | | 214 | |
| | | 6302-12-12D | USE PART # 6203-12-12D | | | | | | | | | | |
| 1 | NA | 6300-16-16D | USE PART # 6199-16-12D | | | | | | | | | 219 | |
| | | 6302-16-16D | USE PART # 6203-16-12D | | | | | | | | | | |
| 1 1/4 | NA | 6300-20-20D | 3.00 | 3.75 | 1.75 | 2.625 | 1.250 | 1.25 | .53 | 1.750 | 222 | 4.3 | |
| | | 6302-20-20D | | | | | | | | | | | |
| 1 1/2 | NA | 6300-24-24D | 3.25 | 4.50 | 1.75 | 3.125 | 1.437 | 1.50 | .66 | 2.125 | 225 | 5.4 | |
| | | 6302-24-24D | | | | | | | | | | | |
| 2 | NA | 6300-32-32D | 4.00 | 5.25 | 1.75 | 3.812 | 1.750 | 1.94 | .78 | 2.500 | 228 | 7.7 | |
| | | 6302-32-32D | | | | | | | | | | | |

① Includes Buna-N O-Ring ② 2500 PSI Max ③ 2000 PSI Max