

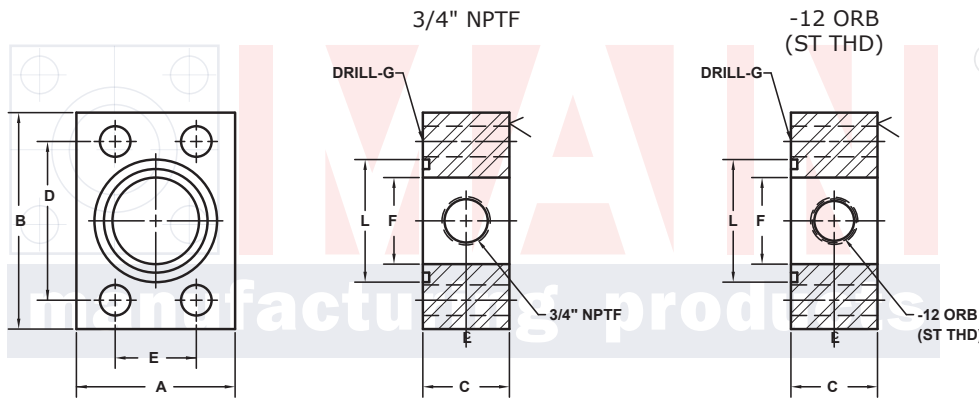
GAUGE PORT ADAPTERS

3/4" GAUGE PORTS

SAE J518 61 SERIES / ISO6162-1 PATTERN

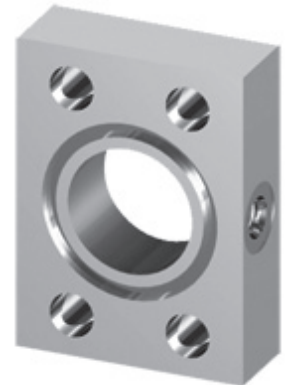
FLANGE SIZE	PIPE SIZE	PART NUMBER	A	B	C	D	E	F	Gmm	L	O-RING ^①	WT
1/2	NA	6299-08-08DM8	USE PART # 6197-08-12DM8								210	
		6301-08-08DM8	USE PART # 6201-08-12DM8									
3/4	NA	6299-12-12DM10	USE PART # 6197-12-12DM10								214	
		6301-12-12DM10	USE PART # 6201-12-12DM10									
1	NA	6299-16-16DM10	USE PART # 6197-16-12DM10								219	
		6301-16-16DM10	USE PART # 6201-16-12DM10									
1 1/4	NA	6299-20-20DM10†	2.50	3.19	1.75	2.312	1.188	1.25	10.5	1.750	222	2.8
		6301-20-20DM10†										
1 1/2	NA	6299-24-24DM12‡	2.75	3.75	1.75	2.750	1.406	1.50	13.0	2.125	225	3.6
		6301-24-24DM12‡										
2	NA	6299-32-32DM12‡	3.25	4.00	1.75	3.062	1.688	1.94	13.0	2.500	228	4.3
		6301-32-32DM12‡										
2 1/2 ^②	NA	6299-40-40DM12‡	4.00	4.50	1.75	3.500	2.000	2.44	13.0	3.000	232	6.0
		6301-40-40DM12‡										
3 ^③	NA	6299-48-48DM16	4.50	5.31	2.00	4.188	2.438	2.94	17.0	3.625	237	8.7
		6301-48-48DM16										

MATERIAL:
316L Stainless



Model 6299 / 6300

Model 6301 / 6302



3181 TRI-PARK DR. GRAND BLANC, MI 48439 800-521-7918 810-953-1380 FAX 810-953-1385 INFO@MAINMFG.COM

SAE J518 62 SERIES / ISO6162-2 PATTERN

FLANGE SIZE	PIPE SIZE	PART NUMBER	A	B	C	D	E	F	Gmm	L	O-RING ^①	WT
1/2	NA	6300-08-08DM8	USE PART # 6199-08-12DM8								210	
		6302-08-08DM8	USE PART # 6203-08-12DM8									
3/4	NA	6300-12-12DM10	USE PART # 6199-12-12DM10								214	
		6302-12-12DM10	USE PART # 6203-12-12DM10									
1	NA	6300-16-16DM12	USE PART # 6199-16-12DM12								219	
		6302-16-16DM12	USE PART # 6203-16-12DM12									
1 1/4	NA	6300-20-20DM12‡	3.00	3.75	1.75	2.625	1.250	1.25	13.0	1.750	222	4.3
		6302-20-20DM12‡										
1 1/2	NA	6300-24-24DM16	3.25	4.50	1.75	3.125	1.437	1.50	17.0	2.125	225	5.4
		6302-24-24DM16										
2	NA	6300-32-32DM20	4.00	5.25	1.75	3.812	1.750	1.94	21.0	2.500	228	7.7
		6302-32-32DM20										

① Includes Buna-N O-Ring ② 2500 PSI Max ③ 2000 PSI Max

NOTE: DIMENSIONS ARE IN INCHES UNLESS OTHERWISE NOTED. † Also Available for M12 Bolts ‡ Also Available for M14 Bolts

© Copyright MAIN Mfg. 2017