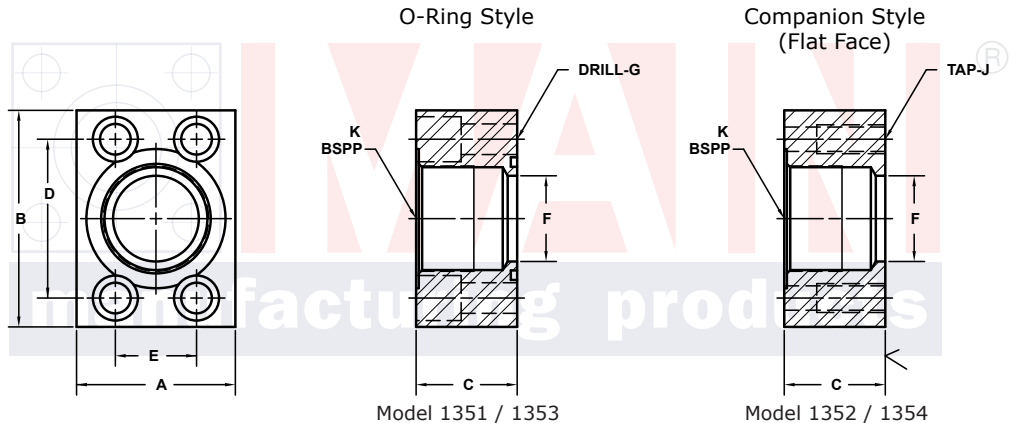
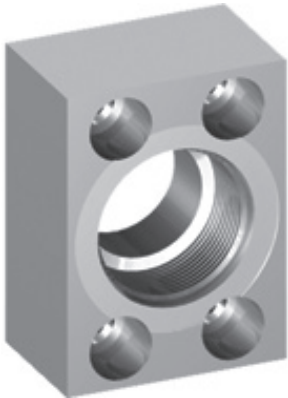


BSPP THREADED IN-LINE FLANGES (Pg 1/2)

SAE BOLT PATTERN										61 SERIES				
FLANGE SIZE	PORT SIZE	PART NUMBER	A	B	C	D	E	F	G J	K	MOUNTING KIT®			WT
											PART NO.	SCREW SIZE	O-RING	
1/2	-4	1351-08-04	1.50	2.12	1.25	1.500	.688	.47	.34	1/4-19	MK 501	5/16-18 x 1 1/4	210	1.0
		1352-08-04							5/16-18		-----	---		
1/2	-6	1351-08-06	1.50	2.12	1.25	1.500	.688	.50	.34	3/8-19	MK 501	5/16-18 x 1 1/4	210	1.0
		1352-08-06							5/16-18		-----	---		
1/2	-8	1351-08-08	1.50	2.12	1.25	1.500	.688	.50	.34	1/2-14	MK 501	5/16-18 x 1 1/4	210	.9
		1352-08-08							5/16-18		-----	---		
3/4	-6	1351-12-06	1.75	2.62	1.50	1.875	.875	.59	.41	3/8-19	MK 1525	3/8-16 x 1 1/2	214	1.6
		1352-12-06							3/8-16		-----	---		
3/4	-8	1351-12-08	1.75	2.62	1.50	1.875	.875	.75	.41	1/2-14	MK 1525	3/8-16 x 1 1/2	214	1.5
		1352-12-08							3/8-16		-----	---		
3/4	-12	1351-12-12	1.75	2.62	1.50	1.875	.875	.75	.41	3/4-14	MK 1525	3/8-16 x 1 1/2	214	1.4
		1352-12-12							3/8-16		-----	---		
3/4	-16	-----	2.00	2.62	2.50	1.875	.875	.75	---	1-11	-----	-----	---	3.0
		1352-12-16							3/8-16		-----	---		
1	-8	1351-16-08	2.00	2.82	1.50	2.062	1.031	.75	.41	1/2-14	MK 1542	3/8-16 x 1 1/2	219	1.9
		1352-16-08							3/8-16		-----	---		
1	-12	1351-16-12	2.00	2.82	1.50	2.062	1.031	.94	.41	3/4-14	MK 1542	3/8-16 x 1 1/2	219	1.8
		1352-16-12							3/8-16		-----	---		
1	-16	1351-16-16	2.00	2.82	1.50	2.062	1.031	1.00	.41	1-11	MK 1542	3/8-16 x 1 1/2	219	1.7
		1352-16-16							3/8-16		-----	---		
1	-20	-----	2.50	3.00	3.00	2.062	1.031	1.00	---	1 1/4-11	-----	-----	---	5.2
		1352-16-20							3/8-16		-----	---		

MATERIAL:
Low Carbon Steel[®]



3181 TRI-PARK DR. GRAND BLANC, MI 48439 800-521-7918 810-953-1380 FAX 810-953-1385 INFO@MAINMFG.COM

SAE BOLT PATTERN										62 SERIES				
FLANGE SIZE	PORT SIZE	PART NUMBER	A	B	C	D	E	F	G J	K	MOUNTING KIT®			WT
											PART NO.	SCREW SIZE	O-RING	
1/2	-6	1353-08-06	1.75	2.22	1.25	1.594	.718	.50	.34	3/8-19	MK 501	5/16-18 x 1 1/4	210	1.2
		1354-08-06							5/16-18		-----	---		
1/2	-8	1353-08-08	1.75	2.22	1.25	1.594	.718	.50	.34	1/2-14	MK 501	5/16-18 x 1 1/4	210	1.1
		1354-08-08							5/16-18		-----	---		
3/4	-6	1353-12-06	2.00	2.81	1.50	2.000	.937	.59	.41	3/8-19	MK 1525	3/8-16 x 1 1/2	214	2.0
		1354-12-06							3/8-16		-----	---		
3/4	-8	1353-12-08	2.00	2.81	1.50	2.000	.937	.75	.41	1/2-14	MK 1525	3/8-16 x 1 1/2	214	1.9
		1354-12-08							3/8-16		-----	---		
3/4	-12	1353-12-12	2.00	2.81	1.50	2.000	.937	.75	.41	3/4-14	MK 1525	3/8-16 x 1 1/2	214	1.8
		1354-12-12							3/8-16		-----	---		
1	-8	1353-16-08	2.25	3.19	1.50	2.250	1.093	.75	.47	1/2-14	MK 1529	7/16-14 x 1 1/2	219	2.5
		1354-16-08							7/16-14		-----	---		
1	-12	1353-16-12	2.25	3.19	1.50	2.250	1.093	.94	.47	3/4-14	MK 1529	7/16-14 x 1 1/2	219	2.4
		1354-16-12							7/16-14		-----	---		
1	-16	1353-16-16	2.25	3.19	1.50	2.250	1.093	1.00	.47	1-11	MK 1529	7/16-14 x 1 1/2	219	2.3
		1354-16-16							7/16-14		-----	---		

① Order Separately

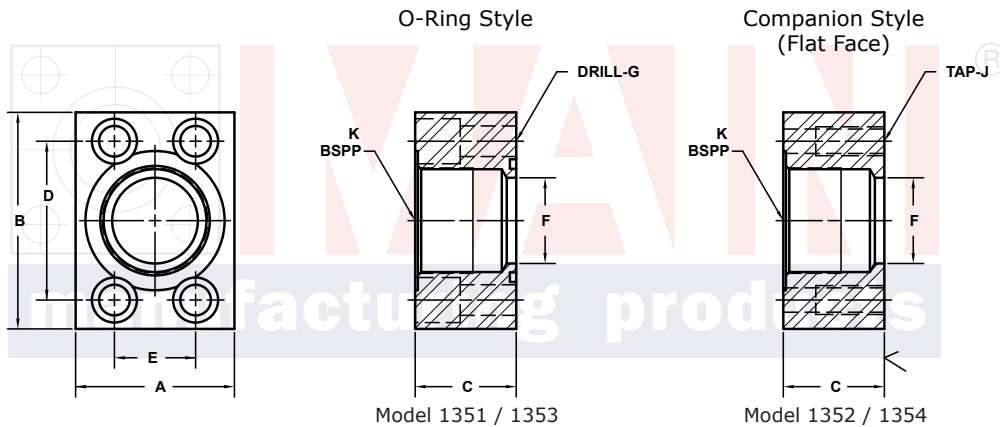
® May Contain Lead

NOTE: The Pressure Rating of the Assembly Should NOT Exceed the Lower of the Flange Pad or the Fitting. Check the Fitting Manufacturer for Details.

BSPP THREADED IN-LINE FLANGES (Pg 2/2)

SAE BOLT PATTERN										61 SERIES				
FLANGE SIZE	PORT SIZE	PART NUMBER	A	B	C	D	E	F	G J	K	MOUNTING KIT ^①			WT
											PART NO.	SCREW SIZE	O-RING	
1 1/4	-16	1351-20-16	2.50	3.19	1.50	2.312	1.188	1.19	.47	1-11	MK 1527	7/16-14 x 1 1/2	222	2.4
		1352-20-16							7/16-14					
1 1/4	-20	1351-20-20	2.50	3.19	1.50	2.312	1.188	1.25	.47	1 1/4-11	MK 1527	7/16-14 x 1 1/2	222	2.2
		1352-20-20							7/16-14					
1 1/2	-16	1351-24-16	2.75	3.75	1.75	2.750	1.406	1.19	.53	1-11	MK 1547	1/2-13 x 1 3/4	225	3.8
		1352-24-16							1/2-13					
1 1/2	-20	1351-24-20	2.75	3.75	1.75	2.750	1.406	1.50	.53	1 1/4-11	MK 1547	1/2-13 x 1 3/4	225	3.4
		1352-24-20							1/2-13					
1 1/2	-24	1351-24-24	2.75	3.75	1.75	2.750	1.406	1.50	.53	1 1/2-11	MK 1547	1/2-13 x 1 3/4	225	3.1
		1352-24-24							1/2-13					
2	-20	1351-32-20	3.25	4.00	1.75	3.062	1.688	1.50	.53	1 1/4-11	MK 582	1/2-13 x 1 3/4	228	4.7
		1352-32-20							1/2-13					
2	-24	1351-32-24	3.25	4.00	1.75	3.062	1.688	1.75	.53	1 1/2-11	MK 582	1/2-13 x 1 3/4	228	4.4
		1352-32-24							1/2-13					
2	-32	1351-32-32	3.25	4.00	2.00	3.062	1.688	1.94	.53	2-11	MK 582	1/2-13 x 1 3/4	228	4.3
		1352-32-32							1/2-13					
2 1/2 ^②	-24	1351-40-24	4.00	4.50	1.75	3.500	2.000	1.75	.53	1 1/2-11	MK 1528	1/2-13 x 1 3/4	232	6.6
		1352-40-24							1/2-13					
2 1/2 ^②	-32	1351-40-32	4.00	4.50	1.75	3.500	2.000	2.12	.53	2-11	MK 1528	1/2-13 x 1 3/4	232	6.3
		1352-40-32							1/2-13					
2 1/2 ^②	-40	1351-40-40	4.00	4.50	2.00	3.500	2.000	2.44	.53	2 1/2-11	MK 561	1/2-13 x 2	232	5.7
		1352-40-40							1/2-13					

MATERIAL:
Low Carbon Steel[®]



Model 1351 / 1353

Model 1352 / 1354

3181 TRI-PARK DR. GRAND BLANC, MI 48439 800-521-7918 810-953-1380 FAX 810-953-1385 INFO@MAINMFG.COM

SAE BOLT PATTERN										62 SERIES				
FLANGE SIZE	PORT SIZE	PART NUMBER	A	B	C	D	E	F	G J	K	MOUNTING KIT ^①			WT
											PART NO.	SCREW SIZE	O-RING	
1 1/4	-16	1353-20-16	3.00	3.75	1.50	2.625	1.250	1.19	.53	1-11	MK 1523	1/2-13 x 1 1/2	222	3.5
		1354-20-16							1/2-13					
1 1/4	-20	1353-20-20	3.00	3.75	1.50	2.625	1.250	1.25	.53	1 1/4-11	MK 1523	1/2-13 x 1 1/2	222	3.3
		1354-20-20							1/2-13					
1 1/2	-16	1353-24-16	3.25	4.50	1.75	3.125	1.437	1.19	.66	1-11	MK 1544	5/8-11 x 1 3/4	225	5.5
		1354-24-16							5/8-11					
1 1/2	-20	1353-24-20	3.25	4.50	1.75	3.125	1.437	1.50	.66	1 1/4-11	MK 1544	5/8-11 x 1 3/4	225	5.1
		1354-24-20							5/8-11					
1 1/2	-24	1353-24-24	3.25	4.50	1.75	3.125	1.437	1.50	.66	1 1/2-11	MK 1544	5/8-11 x 1 3/4	225	4.9
		1354-24-24							5/8-11					
2	-20	1353-32-20	4.00	5.25	1.75	3.812	1.750	1.50	.78	1 1/4-11	MK 563	3/4-10 x 2	228	7.7
		1354-32-20							3/4-10					
2	-24	1353-32-24	4.00	5.25	1.75	3.812	1.750	1.75	.78	1 1/2-11	MK 563	3/4-10 x 2	228	7.4
		1354-32-24							3/4-10					
2	-32	1353-32-32	4.00	5.25	2.00	3.812	1.750	1.94	.78	2-11	MK 563	3/4-10 x 2	228	7.7
		1354-32-32							3/4-10					

① Order Separately

② 2500 PSI Max

⑤ May Contain Lead

NOTE: The Pressure Rating of the Assembly Should NOT Exceed the Lower of the Flange Pad or the Fitting. Check the Fitting Manufacturer for Details.