

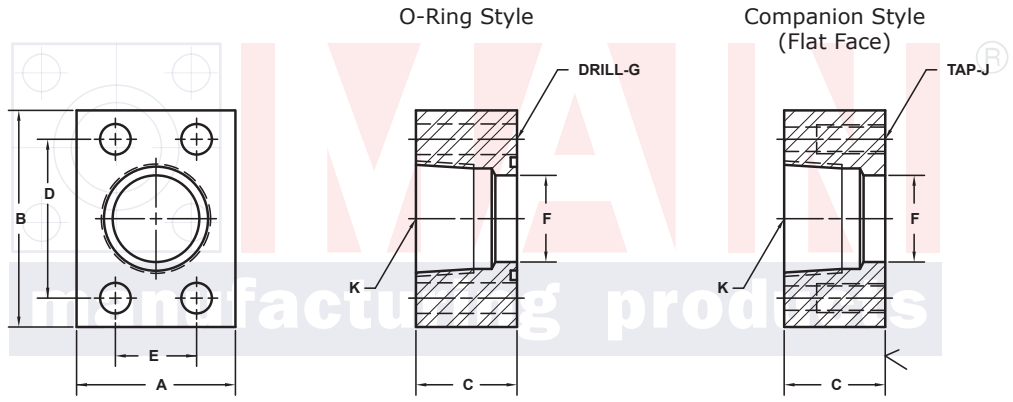
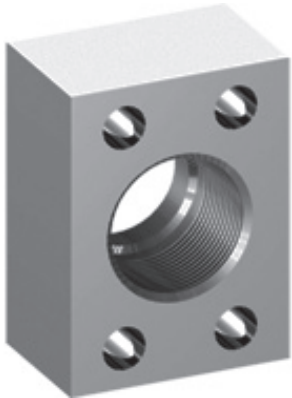
BSPT THREADED IN-LINE FLANGES

SAE BOLT PATTERN										61 SERIES				
FLANGE SIZE	PIPE SIZE	PART NUMBER	A	B	C	D	E	F	G J	K BSPT	MOUNTING KIT®			WT
											PART NO.	BOLT SIZE	O-RING	
1/2	1/2	6355-08-08D	1.50	2.12	1.25	1.500	.688	.50	.34	1/2	MK 519	5/16-18 x 1 3/4	210	.8
		6356-08-08D							5/16-18					
3/4	3/4	6355-12-12D	1.75	2.62	1.25	1.875	.875	.75	.41	3/4	MK 520	3/8-16 x 2	214	1.2
		6356-12-12D							3/8-16					
1	1	6355-16-16D	2.00	2.82	1.50	2.062	1.031	1.00	.41	1	MK 521	3/8-16 x 2 1/4	219	1.7
		6356-16-16D							3/8-16					
1 1/4	1 1/4	6355-20-20D	2.50	3.19	1.50	2.312	1.188	1.25	.47	1 1/4	MK 522	7/16-14 x 2 1/4	222	2.3
		6356-20-20D							7/16-14					
1 1/2	1 1/2	6355-24-24D	2.75	3.75	1.75	2.750	1.406	1.50	.53	1 1/2	MK 523	1/2-13 x 2 1/2	225	3.6
		6356-24-24D							1/2-13					
2	1 1/2	6355-32-24D	3.25	4.00	1.75	3.062	1.688	1.74	.53	1 1/2	MK 524	1/2-13 x 2 1/2	228	4.9
		6356-32-24D							1/2-13					
2	2	6355-32-32D	3.25	4.00	1.75	3.062	1.688	1.94	.53	2	MK 524	1/2-13 x 2 1/2	228	4.2
		6356-32-32D							1/2-13					
2 1/2 ^②	2 1/2	6355-40-40D	4.00	4.50	2.00	3.500	2.000	2.44	.53	2 1/2	MK 1515	1/2-13 x 2 3/4	232	6.5
		6356-40-40D							1/2-13					
3 ^③	3	6355-48-48D	4.50	5.50	2.25	4.188	2.438	2.94	.66	3	MK 1516	5/8-11 x 3 1/2	237	9.8
		6356-48-48D							5/8-11					
3 1/2 ^④	3 1/2	6355-56-56D	5.00	6.00	2.25	4.750	2.750	3.44	.66	3 1/2	MK 2576	5/8-11 x 3 1/2	241	11.0
		6356-56-56D							5/8-11					
4 ^④	4	6355-64-64D	5.50	6.50	2.50	5.125	3.062	3.94	.66	4	MK 2545	5/8-11 x 3 1/2	245	14.5
		6356-64-64D							5/8-11					

MATERIAL:
316L Stainless

MOUNTING KITS listed contain carbon steel bolts and Buna N O-Ring. To specify stainless Grade 18-8 bolts, add an SS at the end of the kit number (MK 501SS).

Please note that using stainless steel bolts may reduce the pressure rating of the assembly.



3181 TRI-PARK DR. GRAND BLANC, MI 48439 800-521-7918 810-953-1380 FAX 810-953-1385 INFO@MAINMFG.COM

SAE BOLT PATTERN										62 SERIES				
FLANGE SIZE	PIPE SIZE	PART NUMBER	A	B	C	D	E	F	G J	K BSPT	MOUNTING KIT®			WT
											PART NO.	BOLT SIZE	O-RING	
1/2	1/2	6357-08-08D	1.75	2.22	1.25	1.594	.718	.50	.34	1/2	MK 519	5/16-18 x 1 3/4	210	1.1
		6358-08-08D							5/16-18					
3/4	3/4	6357-12-12D	2.00	2.81	1.25	2.000	.937	.75	.41	3/4	MK 520	3/8-16 x 2	214	1.5
		6358-12-12D							3/8-16					
1	1	6357-16-16D	2.25	3.19	1.50	2.250	1.093	1.00	.47	1	MK 525	7/16-14 x 2 1/4	219	2.3
		6358-16-16D							7/16-14					
1 1/4	1 1/4	6357-20-20D	2.75	3.75	1.50	2.625	1.250	1.25	.53	1 1/4	MK 526	1/2-13 x 2 1/4	222	3.7
		6358-20-20D							1/2-13					
1 1/2	1 1/2	6357-24-24D	3.25	4.50	1.75	3.125	1.437	1.50	.66	1 1/2	MK 527	5/8-11 x 2 3/4	225	5.6
		6358-24-24D							5/8-11					
2	2	6357-32-32D	4.00	5.25	1.75	3.812	1.750	1.94	.78	2	MK 516	3/4-10 x 3	228	7.8
		6358-32-32D							3/4-10					
2 1/2	2 1/2	6357-40-40D	5.00	6.88	2.00	4.875	2.312	2.44	.94	2 1/2	MK 517	7/8-9 x 3 1/2	232	15.1
		6358-40-40D							7/8-9					
3	3	6357-48-48D	6.00	8.50	2.50	6.000	2.812	2.94	1.19	3	MK 718	1 1/8-7 x 4 1/2	237	27.5
		6358-48-48D							1 1/8-7					

① Order Separately ② 2500 PSI Max ③ 2000 PSI Max ④ 500 PSI Max