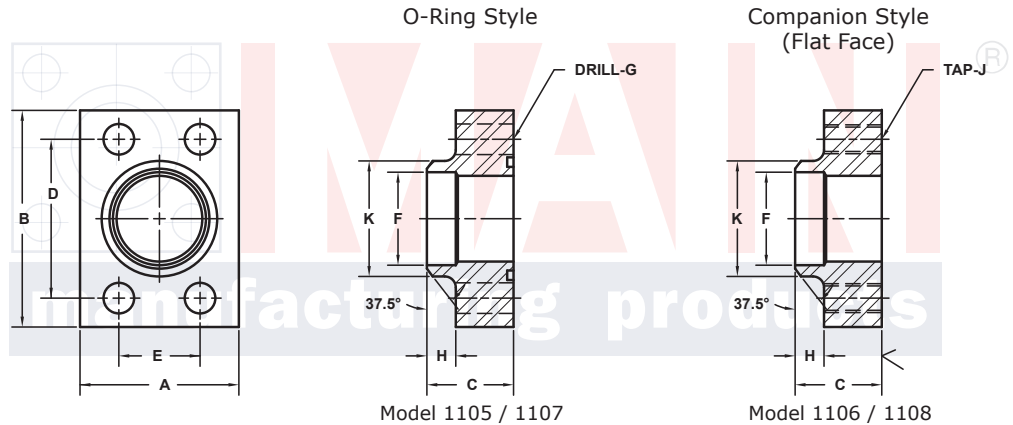


BUTT WELD IN-LINE FLANGES (Pg 1/2)

For Schedule 40 Pipe ⑥

| SAE BOLT PATTERN | | | 61 SERIES | | | | | | | | | | | | |
|------------------|-----------|-------------|-----------|------|------|-------|-------|------|---------|-----|------|---------------|-----------------|--------|-----|
| FLANGE SIZE | PIPE SIZE | PART NUMBER | A | B | C | D | E | F | G | H | K | MOUNTING KIT® | | | WT |
| | | | | | | | | | J | | | PART NO. | SCREW SIZE | O-RING | |
| 1/2 | 1/2 | 1105-08-08 | 1.50 | 2.12 | 1.25 | 1.500 | .688 | .62 | .34 | .38 | .88 | MK 512 | 5/16-18 x 1 1/2 | 210 | .7 |
| | | 1106-08-08 | | | | | | | 5/16-18 | | | | | | |
| 3/4 | 1/2 | 1105-12-08 | 1.75 | 2.62 | 1.25 | 1.875 | .875 | .62 | .41 | .38 | .88 | MK 1525 | 3/8-16 x 1 1/2 | 214 | 1.0 |
| | | 1106-12-08 | | | | | | | 3/8-16 | | | | | | |
| 3/4 | 3/4 | 1105-12-12 | 1.75 | 2.62 | 1.25 | 1.875 | .875 | .82 | .41 | .38 | 1.12 | MK 1525 | 3/8-16 x 1 1/2 | 214 | 1.0 |
| | | 1106-12-12 | | | | | | | 3/8-16 | | | | | | |
| 1 | 3/4 | 1105-16-12 | 2.00 | 2.82 | 1.25 | 2.062 | 1.031 | .82 | .41 | .38 | 1.12 | MK 1542 | 3/8-16 x 1 1/2 | 219 | 1.3 |
| | | 1106-16-12 | | | | | | | 3/8-16 | | | | | | |
| 1 | 1 | 1105-16-16 | 2.00 | 2.82 | 1.25 | 2.062 | 1.031 | 1.04 | .41 | .38 | 1.38 | MK 1542 | 3/8-16 x 1 1/2 | 219 | 1.2 |
| | | 1106-16-16 | | | | | | | 3/8-16 | | | | | | |
| 1 1/4 | 1 | 1105-20-16 | 2.50 | 3.19 | 1.25 | 2.312 | 1.188 | 1.04 | .47 | .38 | 1.38 | MK 1527 | 7/16-14 x 1 1/2 | 222 | 1.7 |
| | | 1106-20-16 | | | | | | | 7/16-14 | | | | | | |
| 1 1/4 | 1 1/4 | 1105-20-20 | 2.50 | 3.19 | 1.25 | 2.312 | 1.188 | 1.38 | .47 | .38 | 1.75 | MK 1527 | 7/16-14 x 1 1/2 | 222 | 1.6 |
| | | 1106-20-20 | | | | | | | 7/16-14 | | | | | | |
| 1 1/4 | 1 1/2 | ----- | 2.50 | 3.19 | 1.50 | 2.312 | 1.188 | 1.61 | ---- | .50 | 2.00 | ----- | ----- | ---- | 2.0 |
| | | 1106-20-24 | | | | | | | 7/16-14 | | | | | | |
| 1 1/2 | 1 1/4 | 1105-24-20 | 2.75 | 3.75 | 1.50 | 2.750 | 1.406 | 1.38 | .53 | .50 | 1.75 | MK 1547 | 1/2-13 x 1 3/4 | 225 | 2.6 |
| | | 1106-24-20 | | | | | | | 1/2-13 | | | | | | |
| 1 1/2 | 1 1/2 | 1105-24-24 | 2.75 | 3.75 | 1.50 | 2.750 | 1.406 | 1.61 | .53 | .50 | 2.00 | MK 1547 | 1/2-13 x 1 3/4 | 225 | 2.3 |
| | | 1106-24-24 | | | | | | | 1/2-13 | | | | | | |
| 1 1/2 | 2 | ----- | 3.50 | 3.75 | 2.25 | 2.750 | 1.406 | 2.06 | ---- | .50 | 2.50 | ----- | ----- | ---- | 5.6 |
| | | 1106-24-32 | | | | | | | 1/2-13 | | | | | | |

MATERIAL:
Low Carbon Steel



3181 TRI-PARK DR. GRAND BLANC, MI 48439 800-521-7918 810-953-1380 FAX 810-953-1385 INFO@MAINMFG.COM

| SAE BOLT PATTERN | | | 62 SERIES | | | | | | | | | | | | |
|------------------|-----------|-------------|-----------|------|------|-------|-------|------|---------|-----|------|---------------|-----------------|--------|-----|
| FLANGE SIZE | PIPE SIZE | PART NUMBER | A | B | C | D | E | F | G | H | K | MOUNTING KIT® | | | WT |
| | | | | | | | | | J | | | PART NO. | SCREW SIZE | O-RING | |
| 1/2 | 1/2 | 1107-08-08 | 1.75 | 2.22 | 1.25 | 1.594 | .718 | .62 | .34 | .38 | .88 | MK 512 | 5/16-18 x 1 1/2 | 210 | .8 |
| | | 1108-08-08 | | | | | | | 5/16-18 | | | | | | |
| 3/4 | 1/2 | 1107-12-08 | 2.00 | 2.81 | 1.25 | 2.000 | .937 | .62 | .41 | .38 | .88 | MK 1525 | 3/8-16 x 1 1/2 | 214 | 1.3 |
| | | 1108-12-08 | | | | | | | 3/8-16 | | | | | | |
| 3/4 | 3/4 | 1107-12-12 | 2.00 | 2.81 | 1.25 | 2.000 | .937 | .82 | .41 | .38 | 1.12 | MK 1525 | 3/8-16 x 1 1/2 | 214 | 1.3 |
| | | 1108-12-12 | | | | | | | 3/8-16 | | | | | | |
| 1 | 3/4 | 1107-16-12 | 2.25 | 3.19 | 1.25 | 2.250 | 1.093 | .82 | .47 | .38 | 1.12 | MK 513 | 7/16-14 x 1 3/4 | 219 | 1.6 |
| | | 1108-16-12 | | | | | | | 7/16-14 | | | | | | |
| 1 | 1 | 1107-16-16 | 2.25 | 3.19 | 1.25 | 2.250 | 1.093 | 1.04 | .47 | .38 | 1.38 | MK 513 | 7/16-14 x 1 3/4 | 219 | 1.5 |
| | | 1108-16-16 | | | | | | | 7/16-14 | | | | | | |
| 1 1/4 | 1 | 1107-20-16 | 2.75 | 3.75 | 1.25 | 2.625 | 1.250 | 1.04 | .53 | .38 | 1.38 | MK 529 | 1/2-13 x 1 3/4 | 222 | 2.3 |
| | | 1108-20-16 | | | | | | | 1/2-13 | | | | | | |
| 1 1/4 | 1 1/4 | 1107-20-20 | 2.75 | 3.75 | 1.25 | 2.625 | 1.250 | 1.38 | .53 | .38 | 1.75 | MK 529 | 1/2-13 x 1 3/4 | 222 | 2.1 |
| | | 1108-20-20 | | | | | | | 1/2-13 | | | | | | |
| 1 1/4 | 1 1/2 | ----- | 3.00 | 3.75 | 1.50 | 2.625 | 1.250 | 1.61 | ---- | .50 | 2.00 | ----- | ----- | ---- | 3.1 |
| | | 1108-20-24 | | | | | | | 1/2-13 | | | | | | |

① Order Separately

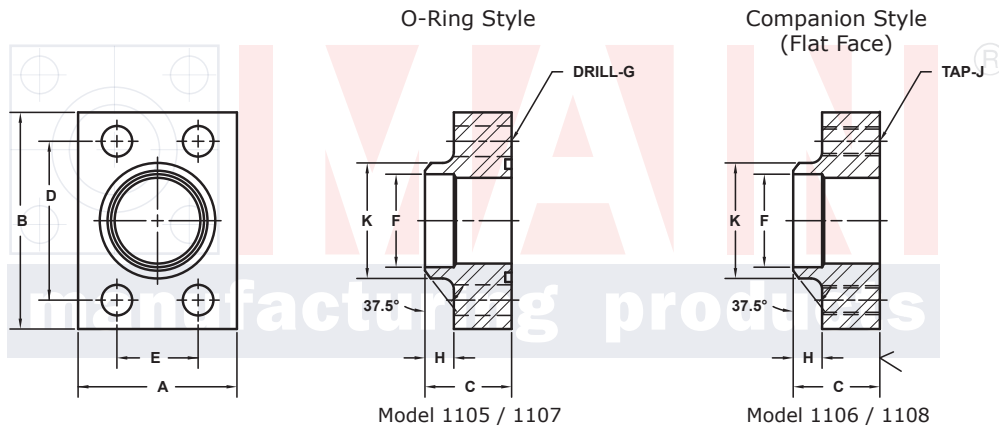
⑥ Other Pipe and Tube Sizes are Available

BUTT WELD IN-LINE FLANGES (Pg 2/2)

For Schedule 40 Pipe ©

| SAE BOLT PATTERN | | | | | | | | | | 61 SERIES | | | | | |
|--------------------|-----------|-------------|------|------|------|-------|-------|------|--------|-----------|------|---------------|----------------|--------|-----|
| FLANGE SIZE | PIPE SIZE | PART NUMBER | A | B | C | D | E | F | G J | H | K | MOUNTING KIT® | | | WT |
| | | | | | | | | | | | | PART NO. | SCREW SIZE | O-RING | |
| 2 | 1 1/4 | 1105-32-20 | 3.25 | 4.00 | 1.50 | 3.062 | 1.688 | 1.38 | .53 | .50 | 1.75 | MK 582 | 1/2-13 x 1 3/4 | 228 | 3.3 |
| | | 1106-32-20 | | | | | | | 1/2-13 | | | | | | |
| 2 | 1 1/2 | 1105-32-24 | 3.25 | 4.00 | 1.50 | 3.062 | 1.688 | 1.61 | .53 | .50 | 2.00 | MK 582 | 1/2-13 x 1 3/4 | 228 | 3.2 |
| | | 1106-32-24 | | | | | | | 1/2-13 | | | | | | |
| 2 | 2 | 1105-32-32 | 3.25 | 4.00 | 1.50 | 3.062 | 1.688 | 2.06 | .53 | .50 | 2.50 | MK 582 | 1/2-13 x 1 3/4 | 228 | 2.8 |
| | | 1106-32-32 | | | | | | | 1/2-13 | | | | | | |
| 2 1/2 ^② | 2 | 1105-40-32 | 4.00 | 4.50 | 1.75 | 3.500 | 2.000 | 2.06 | .53 | .50 | 2.50 | MK 561 | 1/2-13 x 2 | 232 | 5.3 |
| | | 1106-40-32 | | | | | | | 1/2-13 | | | | | | |
| 2 1/2 ^② | 2 1/2 | 1105-40-40 | 4.00 | 4.50 | 1.75 | 3.500 | 2.000 | 2.47 | .53 | .50 | 3.00 | MK 561 | 1/2-13 x 2 | 232 | 4.8 |
| | | 1106-40-40 | | | | | | | 1/2-13 | | | | | | |
| 3 ^③ | 2 1/2 | 1105-48-40 | 4.50 | 5.31 | 2.00 | 4.188 | 2.438 | 2.47 | .66 | .50 | 3.00 | MK 585 | 5/8-11 x 2 1/2 | 237 | 8.1 |
| | | 1106-48-40 | | | | | | | 5/8-11 | | | | | | |
| 3 ^③ | 3 | 1105-48-48 | 4.50 | 5.31 | 2.00 | 4.188 | 2.438 | 3.06 | .66 | .50 | 3.50 | MK 585 | 5/8-11 x 2 1/2 | 237 | 7.2 |
| | | 1106-48-48 | | | | | | | 5/8-11 | | | | | | |
| 3 1/2 ^④ | 3 | 1105-56-48 | 5.00 | 6.00 | 1.50 | 4.750 | 2.750 | 3.06 | .66 | .50 | 3.50 | MK 1571 | 5/8-11 x 2 | 241 | 6.6 |
| | | 1106-56-48 | | | | | | | 5/8-11 | | | | | | |
| 3 1/2 ^④ | 3 1/2 | 1105-56-56 | 5.00 | 6.00 | 1.50 | 4.750 | 2.750 | 3.54 | .66 | .50 | 4.00 | MK 1571 | 5/8-11 x 2 | 241 | 5.9 |
| | | 1106-56-56 | | | | | | | 5/8-11 | | | | | | |
| 4 ^④ | 3 | 1105-64-48 | 5.50 | 6.38 | 1.50 | 5.125 | 3.062 | 3.06 | .66 | .50 | 3.50 | MK 1572 | 5/8-11 x 2 | 245 | 8.1 |
| | | 1106-64-48 | | | | | | | 5/8-11 | | | | | | |
| 4 ^④ | 4 | 1105-64-64 | 5.50 | 6.38 | 1.50 | 5.125 | 3.062 | 4.02 | .66 | .50 | 4.50 | MK 1572 | 5/8-11 x 2 | 245 | 6.7 |
| | | 1106-64-64 | | | | | | | 5/8-11 | | | | | | |

MATERIAL:
Low Carbon Steel



3181 TRI-PARK DR. GRAND BLANC, MI 48439 800-521-7918 810-953-1380 FAX 810-953-1385 INFO@MAINMFG.COM

| SAE BOLT PATTERN | | | | | | | | | | 62 SERIES | | | | | |
|------------------|-----------|-------------|------|------|------|-------|-------|------|---------|-----------|------|---------------|----------------|--------|------|
| FLANGE SIZE | PIPE SIZE | PART NUMBER | A | B | C | D | E | F | G J | H | K | MOUNTING KIT® | | | WT |
| | | | | | | | | | | | | PART NO. | SCREW SIZE | O-RING | |
| 1 1/2 | 1 1/4 | 1107-24-20 | 3.25 | 4.50 | 1.50 | 3.125 | 1.437 | 1.38 | .66 | .50 | 1.75 | MK 562 | 5/8-11 x 2 | 225 | 3.5 |
| | | 1108-24-20 | | | | | | | 5/8-11 | | | | | | |
| 1 1/2 | 1 1/2 | 1107-24-24 | 3.25 | 4.50 | 1.50 | 3.125 | 1.437 | 1.61 | .66 | .50 | 2.00 | MK 562 | 5/8-11 x 2 | 225 | 3.3 |
| | | 1108-24-24 | | | | | | | 5/8-11 | | | | | | |
| 1 1/2 | 2 | ----- | 4.00 | 4.50 | 2.00 | 3.125 | 1.437 | 2.06 | --- | .50 | 2.50 | ----- | ----- | --- | 6.8 |
| | | 1108-24-32 | | | | | | | 5/8-11 | | | | | | |
| 2 | 1 1/2 | 1107-32-24 | 4.00 | 5.25 | 1.75 | 3.812 | 1.750 | 1.61 | .78 | .50 | 2.00 | MK 1548 | 3/4-10 x 2 1/2 | 228 | 6.4 |
| | | 1108-32-24 | | | | | | | 3/4-10 | | | | | | |
| 2 | 2 | 1107-32-32 | 4.00 | 5.25 | 1.75 | 3.812 | 1.750 | 2.06 | .78 | .50 | 2.50 | MK 1548 | 3/4-10 x 2 1/2 | 228 | 5.9 |
| | | 1108-32-32 | | | | | | | 3/4-10 | | | | | | |
| 2 1/2 | 2 | 1107-40-32 | 5.00 | 6.88 | 2.00 | 4.875 | 2.312 | 2.06 | .94 | .50 | 2.50 | MK 1575 | 7/8-9 x 2 3/4 | 232 | 12.8 |
| | | 1108-40-32 | | | | | | | 7/8-9 | | | | | | |
| 2 1/2 | 2 1/2 | 1107-40-40 | 5.00 | 6.88 | 2.00 | 4.875 | 2.312 | 2.47 | .94 | .50 | 3.00 | MK 1575 | 7/8-9 x 2 3/4 | 232 | 12.0 |
| | | 1108-40-40 | | | | | | | 7/8-9 | | | | | | |
| 3 | 3 | 1107-48-48 | 6.00 | 8.50 | 2.50 | 6.000 | 2.812 | 3.06 | 1.19 | .50 | 3.50 | MK 1776 | 1 1/8-7 x 4 | 237 | 23.3 |
| | | 1108-48-48 | | | | | | | 1 1/8-7 | | | | | | |

① Order Separately ② 2500 PSI Max ③ 2000 PSI Max ④ 500 PSI Max
 © Other Pipe and Tube Sizes are Available