

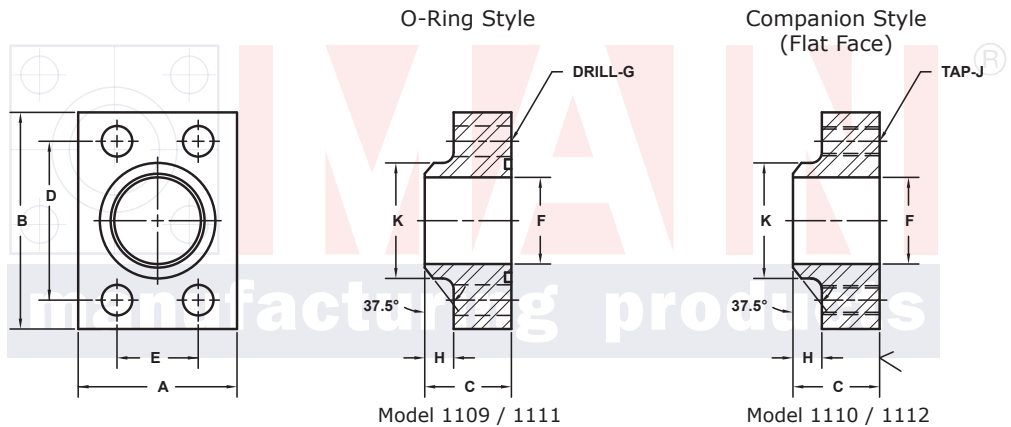
# BUTT WELD IN-LINE FLANGES (Pg 1/2)

For Schedule 80 Pipe ⑥

## SAE J518 61 SERIES / ISO6162-1 PATTERN

FLANGE SIZE	PIPE SIZE	PART NUMBER	A	B	C	D	E	F	Gmm		H	K	MOUNTING KIT®			WT
									Jmm				PART NO.	SCREW SIZE	O-RING	
1/2	1/2	1109-08-08M8	1.50	2.12	1.25	1.500	.688	.53	8.5	.38	.88	MKM 512	M8 x 35	210	.7	
		M8x1.25														
3/4	1/2	1109-12-08M10	1.75	2.62	1.25	1.875	.875	.53	10.5	.38	.88	MKM 1525	M10 x 35	214	1.0	
		M10x1.5														
3/4	3/4	1109-12-12M10	1.75	2.62	1.25	1.875	.875	.75	10.5	.38	1.12	MKM 1525	M10 x 35	214	1.0	
		M10x1.5														
1	3/4	1109-16-12M10	2.00	2.82	1.25	2.062	1.031	.75	10.5	.38	1.12	MKM 1542	M10 x 35	219	1.3	
		M10x1.5														
1	1	1109-16-16M10	2.00	2.82	1.25	2.062	1.031	.94	10.5	.38	1.38	MKM 1542	M10 x 35	219	1.2	
		M10x1.5														
1 1/4	1	1109-20-16M10†	2.50	3.19	1.25	2.312	1.188	.94	10.5	.38	1.38	MKM 4520	M10 x 35	222	1.8	
		M10x1.5														
1 1/4	1 1/4	1109-20-20M10†	2.50	3.19	1.25	2.312	1.188	1.25	10.5	.38	1.75	MKM 4520	M10 x 35	222	1.6	
		M10x1.5														
1 1/4	1 1/2	-----	2.50	3.19	1.50	2.312	1.188	1.25	----	.50	2.00	-----	-----	---	2.1	
		M10x1.5														
1 1/2	1 1/4	1109-24-20M12‡	2.75	3.75	1.50	2.750	1.406	1.25	13.0	.50	1.75	MKM 4551	M12 x 40	225	2.6	
		M12x1.75														
1 1/2	1 1/2	1109-24-24M12‡	2.75	3.75	1.50	2.750	1.406	1.50	13.0	.50	2.00	MKM 4551	M12 x 40	225	2.3	
		M12x1.75														
1 1/2	2	-----	3.50	3.75	2.25	2.750	1.406	1.50	----	.50	2.50	-----	-----	---	5.8	
		M12x1.75														

MATERIAL:  
Low Carbon Steel



3181 TRI-PARK DR. GRAND BLANC, MI 48439 800-521-7918 810-953-1380 FAX 810-953-1385 INFO@MAINMFG.COM

## SAE J518 62 SERIES / ISO6162-2 PATTERN

FLANGE SIZE	PIPE SIZE	PART NUMBER	A	B	C	D	E	F	Gmm		H	K	MOUNTING KIT®			WT
									Jmm				PART NO.	SCREW SIZE	O-RING	
1/2	1/2	1111-08-08M8	1.75	2.22	1.25	1.594	.718	.53	8.5	.38	.88	MKM 512	M8 x 35	210	.8	
		M8x1.25														
3/4	1/2	1111-12-08M10	2.00	2.81	1.25	2.000	.937	.53	10.5	.38	.88	MKM 1525	M10 x 35	214	1.3	
		M10x1.5														
3/4	3/4	1111-12-12M10	2.00	2.81	1.25	2.000	.937	.75	10.5	.38	1.12	MKM 1525	M10 x 35	214	1.3	
		M10x1.5														
1	3/4	1111-16-12M12	2.25	3.19	1.25	2.250	1.093	.75	12.5	.38	1.12	MKM 4569	M12 x 40	219	1.6	
		M12x1.75														
1	1	1111-16-16M12	2.25	3.19	1.25	2.250	1.093	.94	12.5	.38	1.38	MKM 4569	M12 x 40	219	1.5	
		M12x1.75														
1 1/4	1	1111-20-16M12‡	2.75	3.75	1.25	2.625	1.250	.94	13.0	.38	1.38	MKM 1527	M12 x 40	222	2.3	
		M12x1.75														
1 1/4	1 1/4	1111-20-20M12‡	2.75	3.75	1.25	2.625	1.250	1.25	13.0	.38	1.75	MKM 1527	M12 x 40	222	2.1	
		M12x1.75														
1 1/4	1 1/2	-----	3.00	3.75	1.50	2.625	1.250	1.25	----	.50	2.00	-----	-----	---	3.1	
		M12x1.75														

① Order Separately

⑥ Other Pipe and Tube Sizes are Available

36 NOTE: DIMENSIONS ARE IN INCHES UNLESS OTHERWISE NOTED. † Also Available for M12 Bolts ‡ Also Available for M14 Bolts

© Copyright MAIN Mfg. 2017

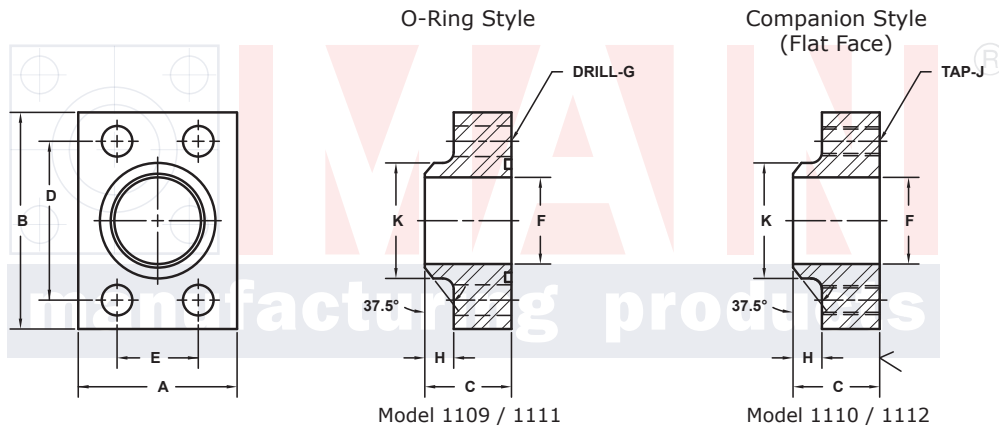
# BUTT WELD IN-LINE FLANGES (Pg 2/2)

For Schedule 80 Pipe ©

## SAE J518 61 SERIES / ISO6162-1 PATTERN

FLANGE SIZE	PIPE SIZE	PART NUMBER	A	B	C	D	E	F	Gmm		H	K	MOUNTING KIT®			WT
									Jmm				PART NO.	SCREW SIZE	O-RING	
2	1¼	1109-32-20M12+	3.25	4.00	1.50	3.062	1.688	1.25	13.0	.50	1.75	M12x1.75	MKM 4552	M12 x 45	228	3.4
		1110-32-20M12+							-----				-----	---		
2	1½	1109-32-24M12+	3.25	4.00	1.50	3.062	1.688	1.50	13.0	.50	2.00	M12x1.75	MKM 4552	M12 x 45	228	3.2
		1110-32-24M12+							-----				-----	---		
2	2	1109-32-32M12+	3.25	4.00	1.50	3.062	1.688	1.94	13.0	.50	2.50	M12x1.75	MKM 4552	M12 x 45	228	2.8
		1110-32-32M12+							-----				-----	---		
2½ <sup>②</sup>	2	1109-40-32M12+	4.00	4.50	1.75	3.500	2.000	1.94	13.0	.50	2.50	M12x1.75	MKM 2575	M12 x 50	232	5.4
		1110-40-32M12+							-----				-----	---		
2½ <sup>②</sup>	2½	1109-40-40M12+	4.00	4.50	1.75	3.500	2.000	2.32	13.0	.50	3.00	M12x1.75	MKM 2575	M12 x 50	232	4.8
		1110-40-40M12+							-----				-----	---		
3 <sup>③</sup>	2½	1109-48-40M16	4.50	5.31	2.00	4.188	2.438	2.32	17.0	.50	3.00	M16x2	MKM 585	M16 x 60	237	8.3
		1110-48-40M16							-----				-----	---		
3 <sup>③</sup>	3	1109-48-48M16	4.50	5.31	2.00	4.188	2.438	2.90	17.0	.50	3.50	M16x2	MKM 585	M16 x 60	237	7.2
		1110-48-48M16							-----				-----	---		
3½ <sup>④</sup>	3	1109-56-48M16	5.00	6.00	1.50	4.750	2.750	2.90	17.0	.50	3.50	M16x2	MKM 1571	M16 x 50	241	6.8
		1110-56-48M16							-----				-----	---		
3½ <sup>④</sup>	3½	1109-56-56M16	5.00	6.00	1.50	4.750	2.750	3.36	17.0	.50	4.00	M16x2	MKM 1571	M16 x 50	241	5.9
		1110-56-56M16							-----				-----	---		
4 <sup>④</sup>	3	1109-64-48M16	5.50	6.38	1.50	5.125	3.062	2.90	17.0	.50	3.50	M16x2	MKM 1572	M16 x 50	245	8.2
		1110-64-48M16							-----				-----	---		
4 <sup>④</sup>	4	1109-64-64M16	5.50	6.38	1.50	5.125	3.062	3.83	17.0	.50	4.50	M16x2	MKM 1572	M16 x 50	245	6.7
		1110-64-64M16							-----				-----	---		

MATERIAL:  
Low Carbon Steel



3181 TRI-PARK DR. GRAND BLANC, MI 48439 800-521-7918 810-953-1380 FAX 810-953-1385 INFO@MAINMFG.COM

## SAE J518 62 SERIES / ISO6162-2 PATTERN

FLANGE SIZE	PIPE SIZE	PART NUMBER	A	B	C	D	E	F	Gmm		H	K	MOUNTING KIT®			WT
									Jmm				PART NO.	SCREW SIZE	O-RING	
1½	1¼	1111-24-20M16	3.25	4.50	1.50	3.125	1.437	1.25	17.0	.50	1.75	M16x2	MKM 562	M16 x 45	225	3.7
		1112-24-20M16							-----				-----	---		
1½	1½	1111-24-24M16	3.25	4.50	1.50	3.125	1.437	1.50	17.0	.50	2.00	M16x2	MKM 562	M16 x 45	225	3.3
		1112-24-24M16							-----				-----	---		
1½	2	-----	4.00	4.50	2.00	3.125	1.437	1.50	-----	.50	2.50	M16x2	-----	-----	---	6.9
		1112-24-32M16							-----				-----	---		
2	1½	1111-32-24M20	4.00	5.25	1.75	3.812	1.750	1.50	21.0	.50	2.00	M20x2.5	MKM 1548	M20 x 60	228	6.6
		1112-32-24M20							-----				-----	---		
2	2	1111-32-32M20	4.00	5.25	1.75	3.812	1.750	1.94	21.0	.50	2.50	M20x2.5	MKM 1548	M20 x 60	228	5.9
		1112-32-32M20							-----				-----	---		
2½	2	1111-40-32M24	5.00	6.88	2.00	4.875	2.312	1.94	25.5	.50	2.50	M24x3	MKM 1575	M24 x 70	232	12.8
		1112-40-32M24							-----				-----	---		
2½	2½	1111-40-40M24	5.00	6.88	2.00	4.875	2.312	2.32	25.5	.50	3.00	M24x3	MKM 1575	M24 x 70	232	12.0
		1112-40-40M24							-----				-----	---		
3	3	1111-48-48M30	6.00	8.50	2.50	6.000	2.812	2.90	32.0	.50	3.50	M30x3.5	MKM 1576	M30 x 100	237	23.3
		1112-48-48M30							-----				-----	---		

① Order Separately    ② 2500 PSI Max    ③ 2000 PSI Max    ④ 500 PSI Max

® Other Pipe and Tube Sizes are Available

NOTE: DIMENSIONS ARE IN INCHES UNLESS OTHERWISE NOTED. + Also Available for M12 Bolts    † Also Available for M14 Bolts

© Copyright MAIN Mfg. 2017