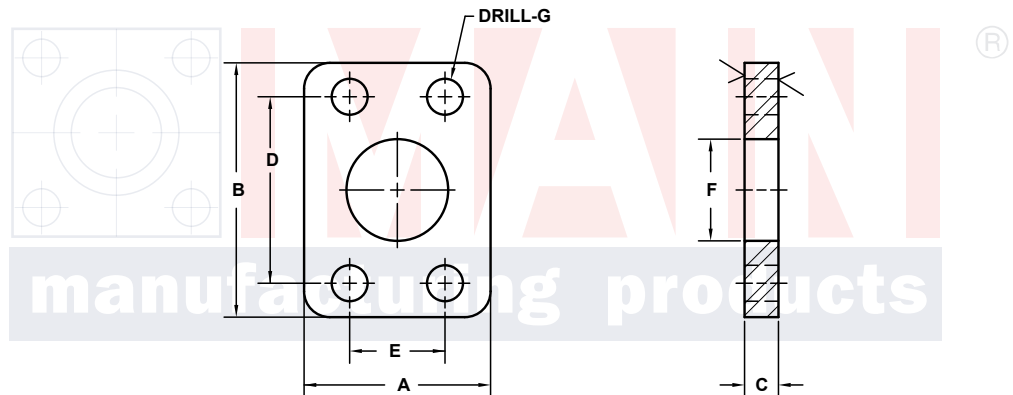
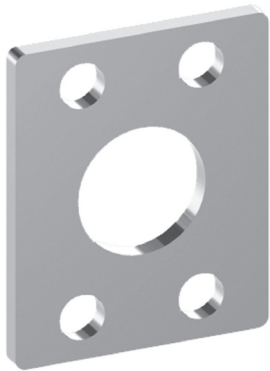


# 'MAIN' 1/4" THICK CONNECTOR PLATES

## SAE J518 61 SERIES / ISO6162-1 PATTERN

FLANGE SIZE	PIPE SIZE	PART NUMBER	A	B	C	D	E	F	Gmm			WT
1/2	NA	6321-08-08DM8	1.75	2.12	.25	1.500	.688	.50	8.5			.4
3/4	NA	6321-12-12DM10	2.00	2.62	.25	1.875	.875	.75	10.5			.6
1	NA	6321-16-16DM10	2.25	2.82	.25	2.062	1.031	1.00	10.5			.7
1 1/4	NA	6321-20-20DM10†	2.75	3.19	.25	2.312	1.188	1.25	10.5			1.0
1 1/2	NA	6321-24-24DM12‡	3.00	3.75	.25	2.750	1.406	1.50	13.0			1.2
2	NA	6321-32-32DM12‡	3.50	4.00	.25	3.062	1.688	1.94	13.0			1.4
2 1/2	NA	6321-40-40DM12‡	4.25	4.50	.25	3.500	2.000	2.44	13.0			2.0
3	NA	6321-48-48DM16	4.75	5.31	.25	4.188	2.438	2.94	17.0			2.4

MATERIAL:  
316L Stainless



3181 TRI-PARK DR. GRAND BLANC, MI 48439 800-521-7918 810-953-1380 FAX 810-953-1385 INFO@MAINMFG.COM

## SAE J518 62 SERIES / ISO6162-2 PATTERN

FLANGE SIZE	PIPE SIZE	PART NUMBER	A	B	C	D	E	F	Gmm			WT
1/2	NA	6322-08-08DM8	2.00	2.22	.25	1.594	.718	.50	8.5			.5
3/4	NA	6322-12-12DM10	2.25	2.81	.25	2.000	.937	.75	10.5			.7
1	NA	6322-16-16DM12	2.50	3.19	.25	2.250	1.093	1.00	12.5			1.0
1 1/4	NA	6322-20-20DM12‡	3.00	3.75	.25	2.625	1.250	1.25	13.0			1.3
1 1/2	NA	6322-24-24DM16	3.50	4.50	.25	3.125	1.437	1.50	17.0			1.9
2	NA	6322-32-32DM20	4.25	5.25	.25	3.812	1.750	1.94	21.0			2.6