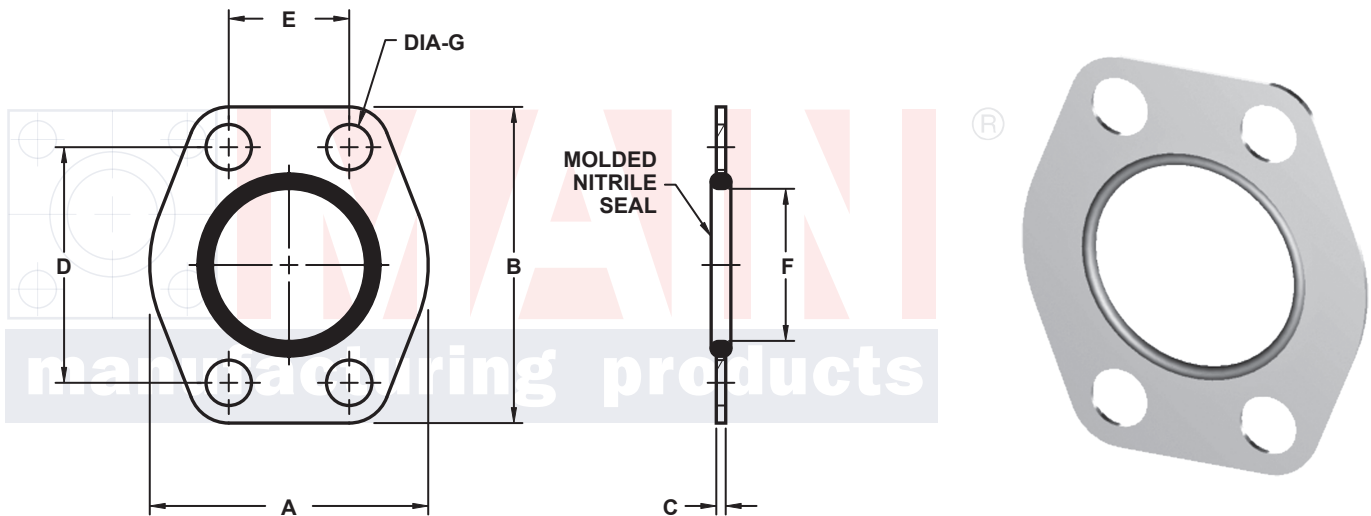


CONNECTOR PLATES WITH SEAL

SAE BOLT PATTERN			61 SERIES						
FLANGE SIZE	PIPE SIZE	PART NUMBER	A	B	C	D	E	F	G
3/4	NA	1277-12-12	2.05	2.56	.10	1.875	.875	.99	.43
1	NA	1277-16-16	THIS SIZE IS NOT AVAILABLE AT THIS TIME. USE PART # 1275-16-16						
1 1/4	NA	1277-20-20	THIS SIZE IS NOT AVAILABLE AT THIS TIME. USE PART # 1275-20-20						
1 1/2	NA	1277-24-24	THIS SIZE IS NOT AVAILABLE AT THIS TIME. USE PART # 1275-24-24						
2	NA	1277-32-32	THIS SIZE IS NOT AVAILABLE AT THIS TIME. USE PART # 1275-32-32						
2 1/2	NA	1277-40-40	THIS SIZE IS NOT AVAILABLE AT THIS TIME. USE PART # 1275-40-40						
3	NA	1277-48-48	THIS SIZE IS NOT AVAILABLE AT THIS TIME. USE PART # 1275-48-48						



3181 TRI-PARK DR. GRAND BLANC, MI 48439 800-521-7918 810-953-1380 FAX 810-953-1385 INFO@MAINMFG.COM

SAE BOLT PATTERN			62 SERIES						
FLANGE SIZE	PIPE SIZE	PART NUMBER	A	B	C	D	E	F	G
3/4	NA	1278-12-12	THIS SIZE IS NOT AVAILABLE AT THIS TIME. USE PART # 1276-12-12						
1	NA	1278-16-16	THIS SIZE IS NOT AVAILABLE AT THIS TIME. USE PART # 1276-16-16						
1 1/4	NA	1278-20-20	3.06	3.75	.10	2.625	1.250	1.50	.53
1 1/2	NA	1278-24-24	THIS SIZE IS NOT AVAILABLE AT THIS TIME. USE PART # 1276-24-24						
2	NA	1278-32-32 ^①	4.50	5.25	.10	3.812	1.750	2.25	.86

① Very Limited Quantities Available