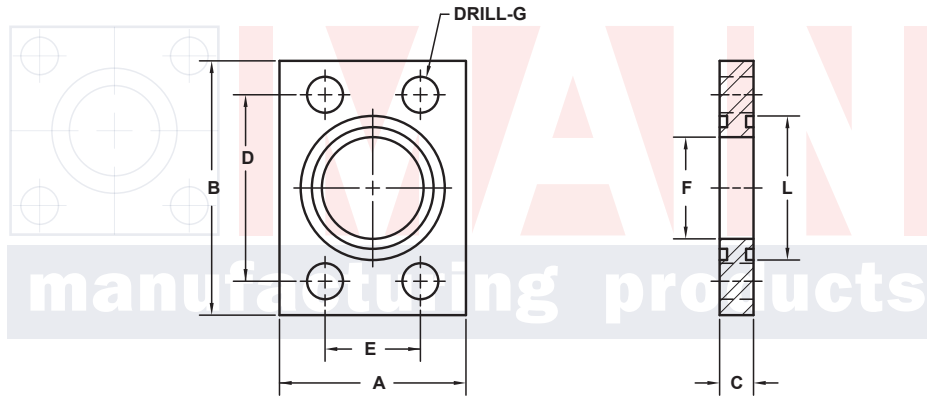


DOUBLE O-RING ADAPTERS

SAE J518 61 SERIES / ISO6162-1 PATTERN

FLANGE SIZE	PIPE SIZE	PART NUMBER	A	B	C	D	E	F	Gmm	L	O-RING ^①	WT
1/2	NA	1275-08-08M8	1.50	2.12	.50	1.500	.688	.50	8.5	1.000	210	.3
3/4	NA	1275-12-12M10	1.75	2.62	.50	1.875	.875	.75	10.5	1.250	214	.5
1	NA	1275-16-16M10	2.00	2.82	.50	2.062	1.031	1.00	10.5	1.562	219	.6
1 1/4	NA	1275-20-20M10†	2.50	3.19	.50	2.312	1.188	1.25	10.5	1.750	222	.8
1 1/2	NA	1275-24-24M12‡	2.75	3.75	.50	2.750	1.406	1.50	13.0	2.125	225	1.0
2	NA	1275-32-32M12‡	3.25	4.00	.50	3.062	1.688	1.94	13.0	2.500	228	1.2
2 1/2	NA	1275-40-40M12‡	4.00	4.50	.50	3.500	2.000	2.44	13.0	3.000	232	1.7
3	NA	1275-48-48M16	4.50	5.31	.50	4.188	2.438	2.94	17.0	3.625	237	2.1

MATERIAL:
Low Carbon Steel



3181 TRI-PARK DR. GRAND BLANC, MI 48439 800-521-7918 810-953-1380 FAX 810-953-1385 INFO@MAINMFG.COM

SAE J518 62 SERIES / ISO6162-2 PATTERN

FLANGE SIZE	PIPE SIZE	PART NUMBER	A	B	C	D	E	F	Gmm	L	O-RING ^①	WT
1/2	NA	1276-08-08M8	1.75	2.22	.50	1.594	.718	.50	8.5	1.000	210	.4
3/4	NA	1276-12-12M10	2.00	2.81	.50	2.000	.937	.75	10.5	1.250	214	.6
1	NA	1276-16-16M12	2.25	3.19	.50	2.250	1.093	1.00	12.5	1.562	219	.8
1 1/4	NA	1276-20-20M12‡	2.75	3.75	.50	2.625	1.250	1.25	13.0	1.750	222	1.1
1 1/2	NA	1276-24-24M16	3.25	4.50	.50	3.125	1.437	1.50	17.0	2.125	225	1.6
2	NA	1276-32-32M20	4.00	5.25	.50	3.812	1.750	1.94	21.0	2.500	228	2.2

① Includes 2 Buna-N O-Rings

NOTE: DIMENSIONS ARE IN INCHES UNLESS OTHERWISE NOTED. † Also Available for M12 Bolts ‡ Also Available for M14 Bolts

© Copyright MAIN Mfg. 2017