

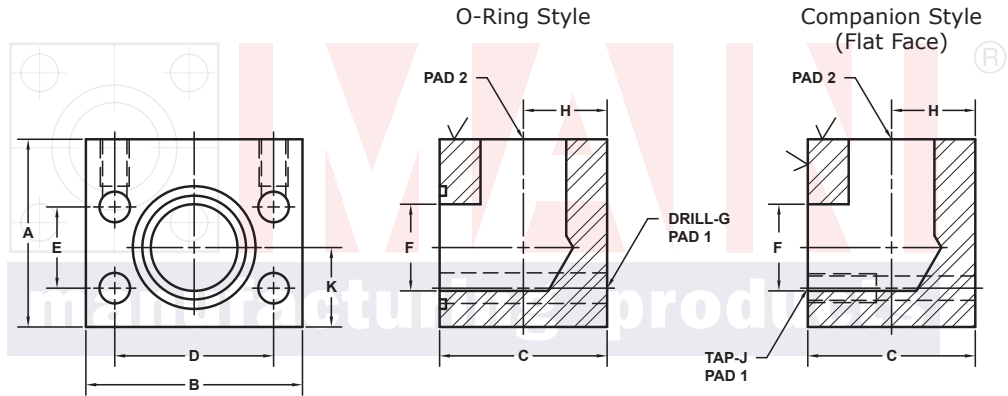
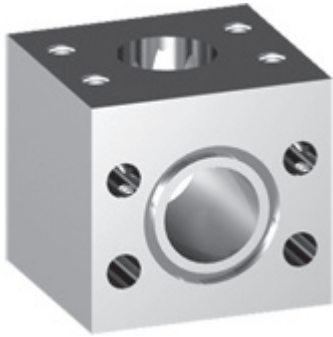
FLANGED ELBOW FLANGES (Pg 1/2)

SAE BOLT PATTERN										61 SERIES					
PAD 1 SIZE	PAD 2 SIZE	PART NUMBER	A	B	C	D	E	F	G J	H	K	MOUNTING KIT®			WT
												PART NO.	SCREW SIZE	O-RING	
1/2	1/2	6571-08-08D	2.25	2.12	2.25	1.500	.688	.50	.34	.78	.78	MK 3509	5/16-18 x 2 3/4	210	2.8
		6572-08-08D							5/16-18						
3/4	3/4	6181-12-12D	2.50	2.62	2.25	1.875	.875	.75	.41	1.03	1.03	MK 576	3/8-16 x 3	214	3.5
		6182-12-12D							3/8-16						
3/4	1	6181-12-16D	2.50	2.82	2.50	1.875	.875	.75	.41	1.25	1.03	MK 595	3/8-16 x 3 1/4	214	4.3
		-----							USE PART # 6182-16-12D						
1	1	6181-16-16D	2.50	2.82	2.50	2.062	1.031	1.00	.41	1.16	1.09	MK 577	3/8-16 x 3 1/4	219	4.0
		6182-16-16D							3/8-16						
1	1 1/4	6181-16-20D	3.00	3.25	3.00	2.062	1.031	1.00	.41	1.44	1.09	MK 2588	3/8-16 x 3 3/4	219	7.0
		-----							USE PART # 6182-20-16D						
1 1/4	1	6181-20-16D	3.25	3.19	3.25	2.312	1.188	1.25	.47	1.38	1.38	MK 591	7/16-14 x 4	222	8.2
		6182-20-16D							7/16-14						
1 1/4	1 1/4	6181-20-20D	3.25	3.19	3.25	2.312	1.188	1.25	.47	1.38	1.38	MK 591	7/16-14 x 4	222	7.9
		6182-20-20D							7/16-14						
1 1/4	1 1/2	6181-20-24D	3.50	3.75	3.50	2.312	1.188	1.25	.47	1.62	1.38	MK 2560	7/16-14 x 4 1/2	222	11.0
		-----							USE PART # 6182-24-20D						
1 1/2	1 1/4	6181-24-20D	4.00	3.75	3.00	2.750	1.406	1.50	.53	1.50	1.38	MK 545	1/2-13 x 4	225	10.7
		6182-24-20D							1/2-13						
1 1/2	1 1/2	6181-24-24D	3.50	3.75	3.50	2.750	1.406	1.50	.53	1.62	1.62	MK 579	1/2-13 x 4 1/2	225	10.7
		6182-24-24D							1/2-13						
1 1/2	2	6181-24-32D	4.00	4.00	4.00	2.750	1.406	1.50	.53	1.91	1.62	MK 1508	1/2-13 x 5	225	14.6
		-----							USE PART # 6182-32-24D						

MATERIAL:
316L Stainless

MOUNTING KITS listed contain carbon steel bolts and Buna N O-Ring. To specify stainless Grade 18-8 bolts, add an SS at the end of the kit number (MK 501SS).

Please note that using stainless steel bolts may reduce the pressure rating of the assembly.



Model 6181 / 6183

Model 6182 / 6184

3181 TRI-PARK DR. GRAND BLANC, MI 48439 800-521-7918 810-953-1380 FAX 810-953-1385 INFO@MAINMFG.COM

SAE BOLT PATTERN										62 SERIES					
PAD 1 SIZE	PAD 2 SIZE	PART NUMBER	A	B	C	D	E	F	G J	H	K	MOUNTING KIT®			WT
												PART NO.	SCREW SIZE	O-RING	
1/2	1/2	6183-08-08D	2.00	2.22	2.00	1.594	.718	.50	.34	.94	.81	MK 575	5/16-18 x 2 1/2	210	2.3
		6184-08-08D							5/16-18						
3/4	1/2	6183-12-08D	2.50	2.81	2.50	2.000	.937	.75	.41	1.19	1.06	MK 595	3/8-16 x 3 1/4	214	4.5
		6184-12-08D							3/8-16						
3/4	3/4	6183-12-12D	2.50	2.81	2.50	2.000	.937	.75	.41	1.19	1.06	MK 595	3/8-16 x 3 1/4	214	4.4
		6184-12-12D							3/8-16						
1	3/4	6183-16-12D	3.00	3.19	3.00	2.250	1.093	1.00	.47	1.38	1.38	MK 596	7/16-14 x 4	219	7.3
		6184-16-12D							7/16-14						
1	1	6183-16-16D	3.00	3.19	3.00	2.250	1.093	1.00	.47	1.38	1.38	MK 596	7/16-14 x 4	219	7.2
		6184-16-16D							7/16-14						
1 1/4	1	6183-20-16D	3.50	3.75	3.00	2.625	1.250	1.25	.53	1.41	1.50	MK 587	1/2-13 x 4	222	9.3
		6184-20-16D							1/2-13						
1 1/4	1 1/4	6183-20-20D	3.50	3.75	3.50	2.625	1.250	1.25	.53	1.62	1.41	MK 4565	1/2-13 x 4 1/2	222	10.8
		6184-20-20D							1/2-13						
1 1/4	1 1/2	6183-20-24D	4.00	4.50	4.00	2.625	1.250	1.25	.53	1.90	1.75	MK 2564	1/2-13 x 5	222	17.5
		-----							USE PART # 6184-24-20D						

① Order Separately

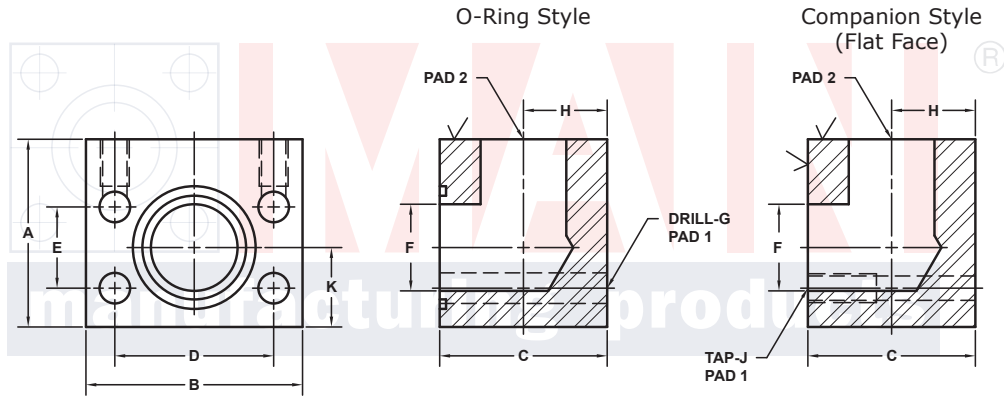
FLANGED ELBOW FLANGES (Pg 2/2)

SAE BOLT PATTERN										61 SERIES					
PAD 1 SIZE	PAD 2 SIZE	PART NUMBER	A	B	C	D	E	F	G J	H	K	MOUNTING KIT ^①			WT
												PART NO.	SCREW SIZE	O-RING	
2	1 1/4	6181-32-20D	4.50	4.00	3.00	3.062	1.688	1.94	.53	1.44	1.62	MK 558	1/2-13 x 4	228	12.3
		6182-32-20D							1/2-13						
2	1 1/2	6181-32-24D	4.00	4.00	4.00	3.062	1.688	1.94	.53	1.91	1.91	MK 592	1/2-13 x 5	228	14.5
		6182-32-24D							1/2-13						
2	2	6181-32-32D	4.00	4.00	4.00	3.062	1.688	1.94	.53	1.91	1.91	MK 592	1/2-13 x 5	228	13.9
		6182-32-32D							1/2-13						
2 1/2 ^②	2	6181-40-32D	4.50	4.50	4.50	3.500	2.000	2.44	.53	2.14	2.25	MK 593	1/2-13 x 5 1/2	232	19.8
		6182-40-32D							1/2-13						
2 1/2 ^②	2 1/2	6181-40-40D	4.50	4.50	4.50	3.500	2.000	2.44	.53	2.14	2.25	MK 593	1/2-13 x 5 1/2	232	18.8
		6182-40-40D							1/2-13						
3 ^③	2	6181-48-32D	5.00	5.31	4.00	4.188	2.438	2.94	.66	1.91	2.25	MK 1583	5/8-11 x 5	237	22.1
		6182-48-32D							5/8-11						
3 ^③	2 1/2	6181-48-40D	5.50	5.31	5.50	4.188	2.438	2.94	.66	2.58	2.75	MK 594	5/8-11 x 6 1/2	237	34.3
		6182-48-40D							5/8-11						
3 ^③	3	6181-48-48D	5.50	5.31	5.50	4.188	2.438	2.94	.66	2.58	2.75	MK 594	5/8-11 x 6 1/2	237	32.7
		6182-48-48D							5/8-11						
3 1/2 ^④	3 1/2	6181-56-56D	6.00	6.00	6.00	4.750	2.750	3.44	.66	3.00	3.00	MK 1589	5/8-11 x 7	241	45.0
		6182-56-56D							5/8-11						
4 ^④	4	6181-64-64D	6.00	6.38	6.00	5.125	3.062	3.94	.66	2.81	3.00	MK 550	5/8-11 x 7	245	43.0
		6182-64-64D							5/8-11						
5 ^④	5	6181-80-80D				6.000	3.625		.66					253	
		6182-80-80D							5/8-11						

MOUNTING KITS listed contain carbon steel bolts and Buna N O-Ring. To specify stainless Grade 18-8 bolts, add an SS at the end of the kit number (MK 501SS).

Please note that using stainless steel bolts may reduce the pressure rating of the assembly.

MATERIAL:
316L Stainless



Model 6181 / 6183

Model 6182 / 6184

3181 TRI-PARK DR. GRAND BLANC, MI 48439 800-521-7918 810-953-1380 FAX 810-953-1385 INFO@MAINMFG.COM

SAE BOLT PATTERN										62 SERIES					
PAD 1 SIZE	PAD 2 SIZE	PART NUMBER	A	B	C	D	E	F	G J	H	K	MOUNTING KIT ^①			WT
												PART NO.	SCREW SIZE	O-RING	
1 1/2	1 1/4	6183-24-20D	4.00	4.50	4.00	3.125	1.437	1.50	.66	1.88	1.75	MK 597	5/8-11 x 5	225	17.4
		6184-24-20D							5/8-11						
1 1/2	1 1/2	6183-24-24D	4.00	4.50	4.00	3.125	1.437	1.50	.66	1.88	1.75	MK 597	5/8-11 x 5	225	16.9
		6184-24-24D							5/8-11						
1 1/2	2	6183-24-32D	4.50	5.25	5.00	3.125	1.437	1.50	.66	2.50	1.75	MK 3503	5/8-11 x 6	225	29.0
		-----							USE PART # 6184-32-24D						
2	1 1/2	6183-32-24D	5.00	5.25	5.00	3.812	1.750	1.94	.78	2.25	2.50	MK 598	3/4-10 x 6	228	31.8
		6184-32-24D							3/4-10						
2	2	6183-32-32D	5.00	5.25	5.00	3.812	1.750	1.94	.78	2.25	2.50	MK 598	3/4-10 x 6	228	31.5
		6184-32-32D							3/4-10						
2 1/2	2	6183-40-32D	6.00	7.00	5.00	4.875	2.312	2.44	.94	2.50	2.50	MK 1596	7/8-9 x 6 1/2	232	49.7
		6184-40-32D							7/8-9						
2 1/2	2 1/2	6183-40-40D	6.00	7.00	6.00	4.875	2.312	2.44	.94	2.75	2.50	MK	7/8-9 x 7 1/2	232	56.6
		6184-40-40D							7/8-9						
3	3	6183-48-48D	7.00	8.50	7.00	6.000	2.812	2.94	1.19	3.25	3.00	MK	1 1/8-7 x 9	237	92.4
		6184-48-48D							1 1/8-7						

① Order Separately

② 2500 PSI Max

③ 2000 PSI Max

④ 500 PSI Max