

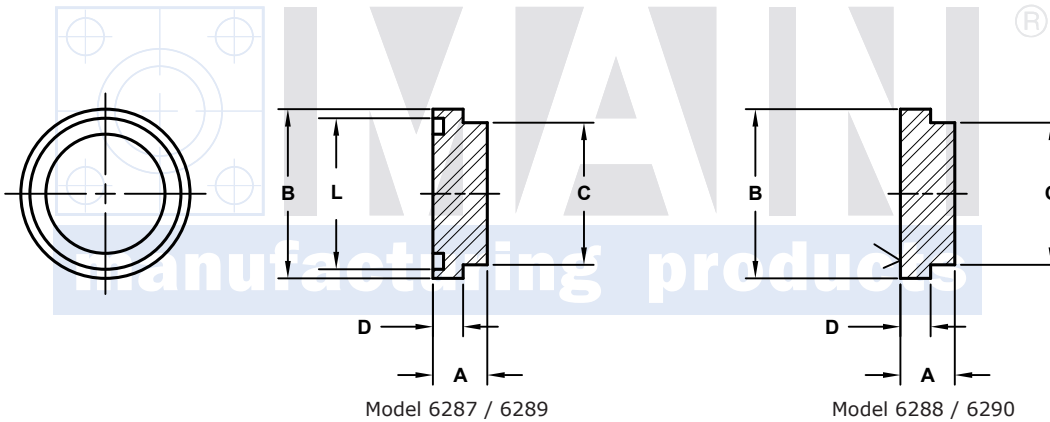
# 'MAIN' FLANGE PLUGS

61 SERIES												
FLANGE SIZE	TUBE SIZE	PART NUMBER	A	B	C	D				L	O-RING NO. <sup>①</sup>	WT
1/2	NA	6287-08-00D	.50	1.188	.92	.265				1.000	210	.2
		6288-08-00D								---	---	
3/4	NA	6287-12-00D	.56	1.500	1.23	.265				1.250	214	.2
		6288-12-00D								---	---	
1	NA	6287-16-00D	.56	1.750	1.48	.315				1.562	219	.2
		6288-16-00D								---	---	
1 1/4	NA	6287-20-00D	.56	2.000	1.69	.315				1.750	222	.3
		6288-20-00D								---	---	
1 1/2	NA	6287-24-00D	.62	2.375	1.97	.315				2.125	225	.3
		6288-24-00D								---	---	
2	NA	6287-32-00D	.62	2.812	2.44	.375				2.500	228	.4
		6288-32-00D								---	---	
2 1/2 <sup>②</sup>	NA	6287-40-00D	.75	3.312	2.89	.375				3.000	232	.6
		6288-40-00D								---	---	
3 <sup>③</sup>	NA	6287-48-00D	.94	4.000	3.53	.375				3.625	237	1.0
		6288-48-00D								---	---	

O-Ring Style

Companion Style  
(Flat Face)

MATERIAL:  
316L Stainless



3181 TRI-PARK DR. GRAND BLANC, MI 48439 800-521-7918 810-953-1380 FAX 810-953-1385 INFO@MAINMFG.COM

62 SERIES												
FLANGE SIZE	TUBE SIZE	PART NUMBER	A	B	C	D				L	O-RING NO. <sup>①</sup>	WT
1/2	NA	6289-08-00D	.75	1.250	.92	.305				1.000	210	.2
		6290-08-00D								---	---	
3/4	NA	6289-12-00D	.75	1.625	1.23	.345				1.250	214	.2
		6290-12-00D								---	---	
1	NA	6289-16-00D	.94	1.875	1.48	.375				1.562	219	.4
		6290-16-00D								---	---	
1 1/4	NA	6289-20-00D	1.00	2.125	1.69	.405				1.750	222	.5
		6290-20-00D								---	---	
1 1/2	NA	6289-24-00D	1.25	2.500	1.97	.495				2.125	225	.8
		6290-24-00D								---	---	
2	NA	6289-32-00D	1.50	3.125	2.60	.495				2.500	228	1.4
		6290-32-00D								---	---	

① Order Separately    ② 2500 PSI Max    ③ 2000 PSI Max