

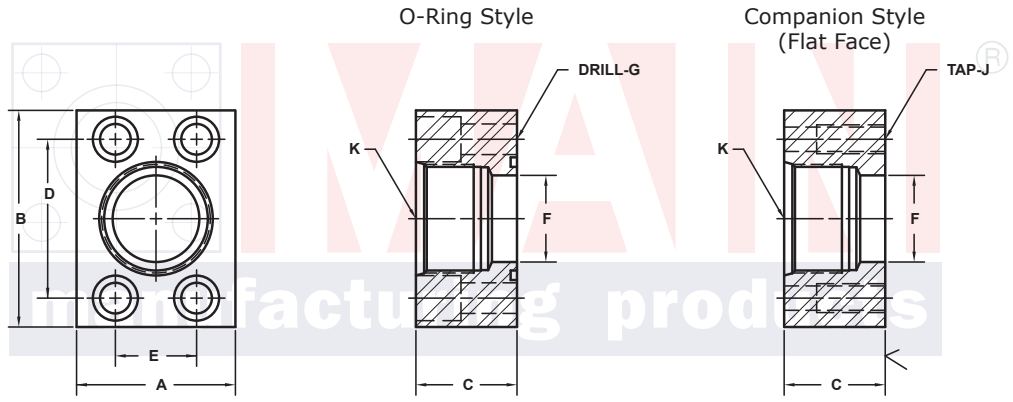
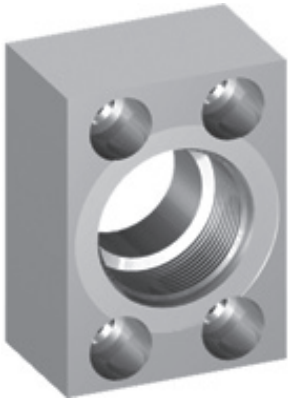
# ISO 6149 THREADED IN-LINE FLANGES

SAE BOLT PATTERN										61 SERIES				
FLANGE SIZE	PORT SIZE	PART NUMBER	A	B	C	D	E	F	G J	K	MOUNTING KIT®			WT
											PART NO.	BOLT SIZE	O-RING	
1/2	-8	6601-08-08D	1.50	2.12	1.25	1.500	.688	.50	.34	M18 x 1.5	MK 501	5/16-18 x 1 1/4	210	.9
		5/16-18							-----		---			
3/4	-10	6601-12-10D	1.75	2.62	1.50	1.875	.875	.50	.41	M22 x 1.5	MK 1525	3/8-16 x 1 1/2	214	1.3
		3/8-16							-----		---			
3/4	-12	6601-12-12D	1.75	2.62	1.50	1.875	.875	.75	.41	M27 x 2	MK 1525	3/8-16 x 1 1/2	214	1.4
		3/8-16							-----		---			
1	-12	6601-16-12D	2.00	2.82	1.50	2.062	1.031	.94	.41	M27 x 2	MK 1542	3/8-16 x 1 1/2	219	1.6
		3/8-16							-----		---			
1	-16	6601-16-16D	2.00	2.82	1.50	2.062	1.031	1.00	.41	M33 x 2	MK 1542	3/8-16 x 1 1/2	219	1.7
		3/8-16							-----		---			
1 1/4	-20	6601-20-20D	2.50	3.19	1.50	2.312	1.188	1.25	.47	M42 x 2	MK 1527	7/16-14 x 1 1/2	222	2.3
		7/16-14							-----		---			
1 1/2	-20	6601-24-20D	2.75	3.75	1.75	2.750	1.406	1.50	.53	M42 x 2	MK 1547	1/2-13 x 1 3/4	225	3.5
		1/2-13							-----		---			
1 1/2	-24	6601-24-24D	2.75	3.75	1.75	2.750	1.406	1.50	.53	M48 x 2	MK 1547	1/2-13 x 1 3/4	225	3.5
		1/2-13							-----		---			
2	-24	6601-32-24D	3.25	4.00	1.75	3.062	1.688	1.77	.53	M48 x 2	MK 582	1/2-13 x 1 3/4	228	4.8
		1/2-13							-----		---			
2	-32	6601-32-32D	3.25	4.00	1.75	3.062	1.688	1.94	.53	M60 x 2	MK 582	1/2-13 x 1 3/4	228	3.9
		1/2-13							-----		---			
2 1/2 <sup>②</sup>	-32	6601-40-32D	4.00	4.50	1.75	3.500	2.000	2.12	.53	M60 x 2	MK 1528	1/2-13 x 1 3/4	232	6.3
		1/2-13							-----		---			

MATERIAL:  
316L Stainless

MOUNTING KITS listed contain carbon steel bolts and Buna N O-Ring. To specify stainless Grade 18-8 bolts, add an SS at the end of the kit number (MK 501SS).

Please note that using stainless steel bolts may reduce the pressure rating of the assembly.



Model 6601 / 6603

Model 6602 / 6604

3181 TRI-PARK DR. GRAND BLANC, MI 48439 800-521-7918 810-953-1380 FAX 810-953-1385 INFO@MAINMFG.COM

SAE BOLT PATTERN										62 SERIES				
FLANGE SIZE	PORT SIZE	PART NUMBER	A	B	C	D	E	F	G J	K	MOUNTING KIT®			WT
											PART NO.	BOLT SIZE	O-RING	
1/2	-8	6603-08-08D	1.75	2.22	1.25	1.594	.718	.50	.34	M18 x 1.5	MK 501	5/16-18 x 1 1/4	210	1.1
		5/16-18							-----		---			
3/4	-10	6603-12-10D	2.00	2.81	1.50	2.000	.937	.50	.41	M22 x 1.5	MK 1525	3/8-16 x 1 1/2	214	2.0
		3/8-16							-----		---			
3/4	-12	6603-12-12D	2.00	2.81	1.50	2.000	.937	.75	.41	M27 x 2	MK 1525	3/8-16 x 1 1/2	214	1.8
		3/8-16							-----		---			
1	-12	6603-16-12D	2.25	3.19	1.50	2.250	1.093	.94	.47	M27 x 2	MK 1529	7/16-14 x 1 1/2	219	2.3
		7/16-14							-----		---			
1	-16	6603-16-16D	2.25	3.19	1.50	2.250	1.093	1.00	.47	M33 x 2	MK 1529	7/16-14 x 1 1/2	219	2.3
		7/16-14							-----		---			
1 1/4	-20	6603-20-20D	2.75	3.75	1.50	2.625	1.250	1.25	.53	M42 x 2	MK 1523	1/2-13 x 1 1/2	222	3.7
		1/2-13							-----		---			
1 1/2	-24	6603-24-24D	3.25	4.50	1.75	3.125	1.437	1.50	.66	M48 x 2	MK 1544	5/8-11 x 1 3/4	225	5.5
		5/8-11							-----		---			
2	-32	6603-32-32D	4.00	5.25	1.75	3.812	1.750	1.94	.78	M60 x 2	MK 563	3/4-10 x 2	228	7.5
		3/4-10							-----		---			

① Order Separately

② 2500 PSI Max

NOTE: The pressure rating of the assembly should not exceed the lower of the flange pad or the fitting. Check the fitting manufacturer for details.