

# NPTF THREADED ELBOW FLANGES (Pg 1/2)

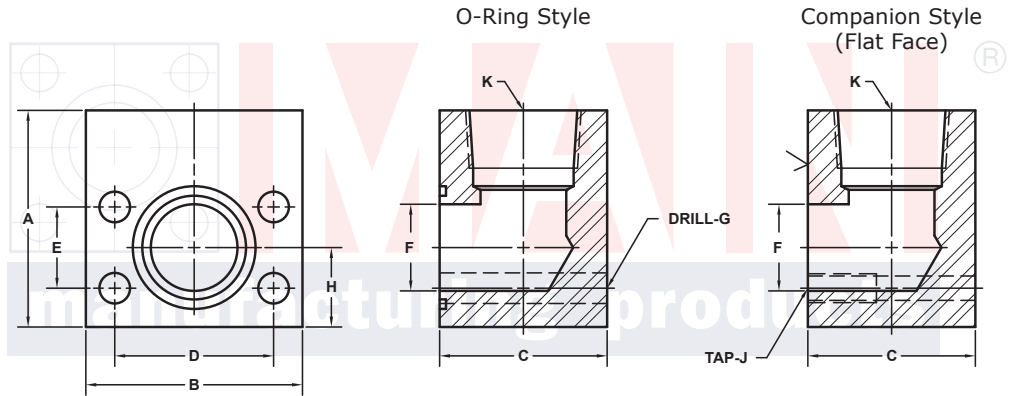
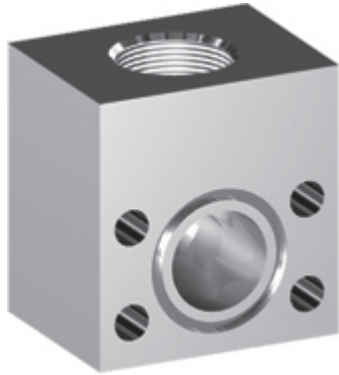
## SAE J518 61 SERIES / ISO6162-1 PATTERN

FLANGE SIZE	PIPE SIZE	PART NUMBER	A	B	C	D	E	F	Gmm	H	K NPTF	MOUNTING KIT®			WT
									Jmm			PART NO.	SCREW SIZE	O-RING	
1/2	1/2	6161-08-08DM8	2.00	2.12	1.44	1.500	.688	.50	8.5	.75	1/2	MKM 541	M8 x 50	210	1.5
		M8x1.25							-----			---			
3/4	1/2	6161-12-08DM10	2.50	2.62	1.70	1.875	.875	.75	10.5	.88	1/2	MKM 542	M10 x 60	214	2.7
		M10x1.5							-----			---			
3/4	3/4	6161-12-12DM10	2.50	2.62	1.70	1.875	.875	.75	10.5	.88	3/4	MKM 542	M10 x 60	214	2.6
		M10x1.5							-----			---			
1	3/4	6161-16-12DM10	3.00	2.82	1.94	2.062	1.031	1.00	10.5	1.00	3/4	MKM 543	M10 x 65	219	3.9
		M10x1.5							-----			---			
1	1	6161-16-16DM10	3.00	2.82	1.94	2.062	1.031	1.00	10.5	1.00	1	MKM 543	M10 x 65	219	3.5
		M10x1.5							-----			---			
1 1/4	1	6161-20-16DM10†	3.50	3.19	2.40	2.312	1.188	1.25	10.5	1.25	1	MKM 4532	M10 x 75	222	6.5
		M10x1.5							-----			---			
1 1/4	1 1/4	6161-20-20DM10†	3.50	3.19	2.40	2.312	1.188	1.25	10.5	1.25	1 1/4	MKM 4532	M10 x 75	222	6.2
		M10x1.5							-----			---			
1 1/4	1 1/2	6161-20-24DM10†	4.00	3.19	3.00	2.312	1.188	1.25	10.5	1.25	1 1/2	MKM 4597	M10 x 90	222	6.0
		M10x1.5							-----			---			
1 1/2	1 1/4	6161-24-20DM10†	4.00	3.75	2.90	2.750	1.406	1.50	13.0	1.38	1 1/4	MKM 4533	M12 x 90	225	10.0
		M12x1.75							-----			---			
1 1/2	1 1/2	6161-24-24DM12‡	4.00	3.75	2.90	2.750	1.406	1.50	13.0	1.38	1 1/2	MKM 4533	M12 x 90	225	9.9
		M12x1.75							-----			---			
1 1/2	2	6161-24-32DM12‡	4.00	3.75	2.90	2.750	1.406	1.50	13.0	1.38	2	MKM 4533	M12 x 90	225	8.9
		M12x1.75							-----			---			

MATERIAL:  
316L Stainless

MOUNTING KITS listed contain carbon steel bolts and Buna N O-Ring. To specify stainless Grade 18-8 bolts, add an SS at the end of the kit number (MK 501SS).

Please note that using stainless steel bolts may reduce the pressure rating of the assembly.



Model 6161 / 6163

Model 6162 / 6164

3181 TRI-PARK DR. GRAND BLANC, MI 48439 800-521-7918 810-953-1380 FAX 810-953-1385 INFO@MAINMFG.COM

## SAE J518 62 SERIES / ISO6162-2 PATTERN

FLANGE SIZE	PIPE SIZE	PART NUMBER	A	B	C	D	E	F	Gmm	H	K NPTF	MOUNTING KIT®			WT
									Jmm			PART NO.	SCREW SIZE	O-RING	
1/2	1/2	6163-08-08DM8	2.00	2.22	1.46	1.594	.718	.50	8.5	.88	1/2	MKM 541	M8 x 50	210	1.6
		M8x1.25							-----			---			
3/4	1/2	6163-12-08DM10	2.50	2.81	1.70	2.000	.937	.75	10.5	1.00	1/2	MKM 542	M10 x 60	214	2.9
		M10x1.5							-----			---			
3/4	3/4	6163-12-12DM10	2.50	2.81	1.70	2.000	.937	.75	10.5	1.00	3/4	MKM 542	M10 x 60	214	2.8
		M10x1.5							-----			---			
1	3/4	6163-16-12DM12	3.00	3.19	1.96	2.250	1.093	1.00	12.5	1.12	3/4	MKM 551	M12 x 70	219	4.6
		M12x1.75							-----			---			
1	1	6163-16-16DM12	3.00	3.19	1.96	2.250	1.093	1.00	12.5	1.12	1	MKM 551	M12 x 70	219	4.4
		M12x1.75							-----			---			
1 1/4	1	6163-20-16DM12‡	4.00	3.75	2.44	2.625	1.250	1.25	13.0	1.38	1	MKM 578	M12 x 80	222	6.9
		M12x1.75							-----			---			
1 1/4	1 1/4	6163-20-20DM12‡	4.00	3.75	2.44	2.625	1.250	1.25	13.0	1.38	1 1/4	MKM 578	M12 x 80	222	6.7
		M12x1.75							-----			---			
1 1/4	1 1/2	6163-20-24DM12‡	4.00	3.75	3.00	2.625	1.250	1.25	13.0	1.38	1 1/2	MKM 5551	M12 x 90	222	9.9
		M12x1.75							-----			---			

① Order Separately

# NPTF THREADED ELBOW FLANGES (Pg 2/2)

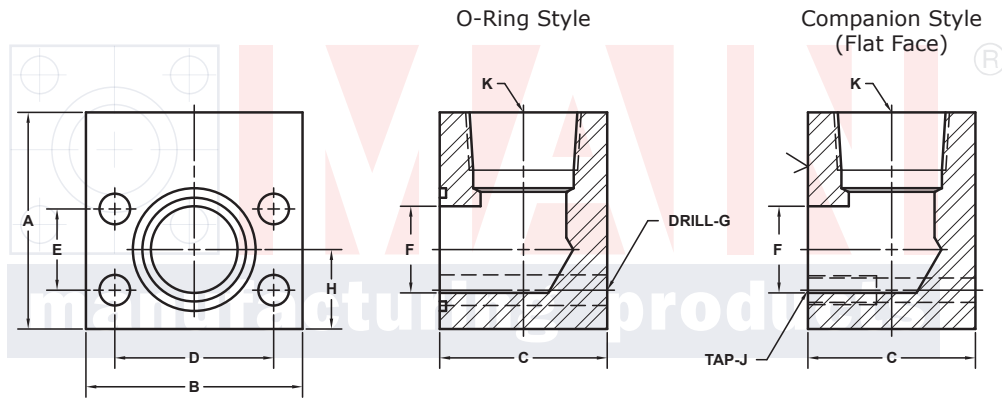
## SAE J518 61 SERIES / ISO6162-1 PATTERN

FLANGE SIZE	PIPE SIZE	PART NUMBER	A	B	C	D	E	F	Gmm	H	K NPTF	MOUNTING KIT®			WT
									Jmm			PART NO.	SCREW SIZE	O-RING	
2	1 1/4	6161-32-20DM12†	4.50	4.00	2.96	3.062	1.688	1.94	13.0	1.62	1 1/4	MKM 4547	M12 x 90	228	11.3
		6162-32-20DM12†							M12x1.75			-----	---		
2	1 1/2	6161-32-24DM12†	4.50	4.00	2.96	3.062	1.688	1.94	13.0	1.62	1 1/2	MKM 4547	M12 x 90	228	10.9
		6162-32-24DM12†							M12x1.75			-----	---		
2	2	6161-32-32DM12†	4.50	4.00	2.96	3.062	1.688	1.94	13.0	1.62	2	MKM 4547	M12 x 90	228	10.7
		6162-32-32DM12†							M12x1.75			-----	---		
2 1/2 <sup>②</sup>	1 1/2	6161-40-24DM12†	5.00	4.50	3.96	3.500	2.000	2.44	13.0	2.00	1 1/2	MKM 4535	M12 x 120	232	18.5
		6162-40-24DM12†							M12x1.75			-----	---		
2 1/2 <sup>②</sup>	2	6161-40-32DM12†	5.00	4.50	3.96	3.500	2.000	2.44	13.0	2.00	2	MKM 4535	M12 x 120	232	17.8
		6162-40-32DM12†							M12x1.75			-----	---		
2 1/2 <sup>②</sup>	2 1/2	6161-40-40DM12†	5.00	4.50	3.96	3.500	2.000	2.44	13.0	2.00	2 1/2	MKM 4535	M12 x 120	232	17.5
		6162-40-40DM12†							M12x1.75			-----	---		
3 <sup>③</sup>	2	6161-48-32DM16	6.00	5.31	4.46	4.188	2.438	2.94	17.0	2.25	2	MKM 2532	M16 x 140	237	29.6
		6162-48-32DM16							M16x2			-----	---		
3 <sup>③</sup>	2 1/2	6161-48-40DM16	6.00	5.31	4.46	4.188	2.438	2.94	17.0	2.25	2 1/2	MKM 2532	M16 x 140	237	30.0
		6162-48-40DM16							M16x2			-----	---		
3 <sup>③</sup>	3	6161-48-48DM16	6.00	5.31	4.46	4.188	2.438	2.94	17.0	2.25	3	MKM 2532	M16 x 140	237	27.6
		6162-48-48DM16							M16x2			-----	---		
3 1/2 <sup>④</sup>	3	6161-56-48DM16	6.00	6.00	5.00	4.750	2.750	3.44	17.0	2.50	3	MKM	M16 x	241	36.8
		6162-56-48DM16							M16x2			-----	---		
3 1/2 <sup>④</sup>	3 1/2	6161-56-56DM16	6.25	6.00	5.40	4.750	2.750	3.44	17.0	2.50	3 1/2	MKM	M16 x	241	40.0
		6162-56-56DM16							M16x2			-----	---		

MOUNTING KITS listed contain carbon steel bolts and Buna N O-Ring. To specify stainless Grade 18-8 bolts, add an SS at the end of the kit number (MK 501SS).

Please note that using stainless steel bolts may reduce the pressure rating of the assembly.

**MATERIAL:**  
316L Stainless



Model 6161 / 6163

Model 6162 / 6164

3181 TRI-PARK DR. GRAND BLANC, MI 48439 800-521-7918 810-953-1380 FAX 810-953-1385 INFO@MAINMFG.COM

## SAE J518 62 SERIES / ISO6162-2 PATTERN

FLANGE SIZE	PIPE SIZE	PART NUMBER	A	B	C	D	E	F	Gmm	H	K NPTF	MOUNTING KIT®			WT
									Jmm			PART NO.	SCREW SIZE	O-RING	
1 1/2	1 1/4	6163-24-20DM16	4.00	4.50	2.96	3.125	1.437	1.50	17.0	1.62	1 1/4	MKM 553	M16 x 100	225	12.5
		6164-24-20DM16							M16x2			-----	---		
1 1/2	1 1/2	6163-24-24DM16	4.00	4.50	2.96	3.125	1.437	1.50	17.0	1.62	1 1/2	MKM 553	M16 x 100	225	11.9
		6164-24-24DM16							M16x2			-----	---		
1 1/2	2	6163-24-32DM16	4.50	4.50	3.50	3.125	1.437	1.50	17.0	1.62	2	MKM 1598	M16 x 120	225	15.3
		6164-24-32DM16							M16x2			-----	---		
2	1 1/2	6163-32-24DM20	5.00	5.25	3.46	3.812	1.750	1.94	21.0	2.00	1 1/2	MKM 554	M20 x 120	228	20.7
		6164-32-24DM20							M20x2.5			-----	---		
2	2	6163-32-32DM20	5.00	5.25	3.46	3.812	1.750	1.94	21.0	2.00	2	MKM 554	M20 x 120	228	20.2
		6164-32-32DM20							M20x2.5			-----	---		
2 1/2	2	6163-40-32DM24	6.00	6.88	4.00	4.875	2.312	2.44	25.5	2.50	2	MKM 555	M24 x 140	232	39.0
		6164-40-32DM24							M24x3			-----	---		
2 1/2	2 1/2	6163-40-40DM24	6.00	6.88	4.00	4.875	2.312	2.44	25.5	2.50	2 1/2	MKM 555	M24 x 140	232	37.9
		6164-40-40DM24							M24x3			-----	---		
3	3	6163-48-48DM30	7.00	8.50	5.00	6.000	2.812	2.94	32.0	3.00	3	MKM 556	M30 x 180	237	63.7
		6164-48-48DM30							M30x3.5			-----	---		

① Order Separately    ② 2500 PSI Max    ③ 2000 PSI Max    ④ 500 PSI Max

NOTE: DIMENSIONS ARE IN INCHES UNLESS OTHERWISE NOTED. † Also Available for M12 Bolts ‡ Also Available for M14 Bolts

© Copyright MAIN Mfg. 2017