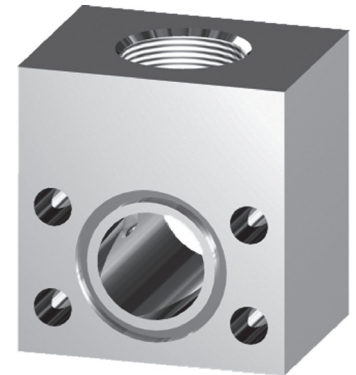
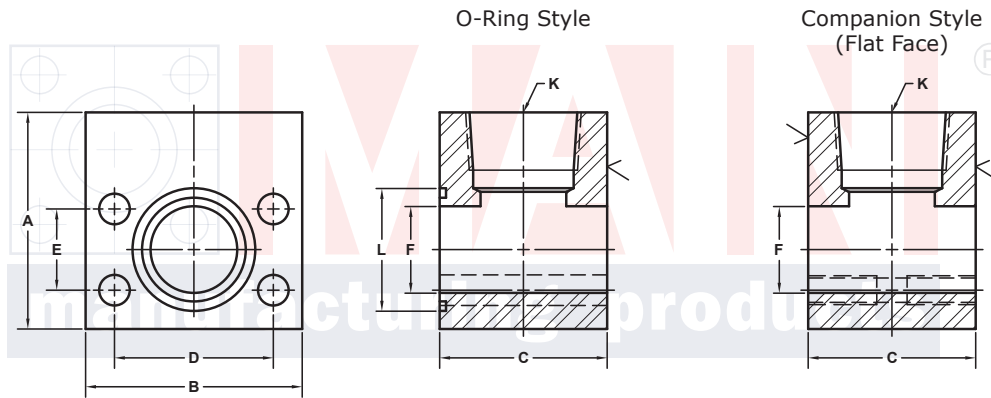


# NPTF THREADED RUN TEE FLANGES

## SAE J518 61 SERIES / ISO6162-1 PATTERN

FLANGE SIZE	PIPE SIZE	PART NUMBER	A	B	C	D	E	F	K	L	O-RING <sup>①</sup>	WT
1/2	1/2	6197-08-08DM8	2.00	2.12	1.44	1.500	.688	.50	1/2	1.000	210	1.3
		6198-08-08DM8								---	---	
1/2	3/4	6197-08-12DM8	2.75	2.12	1.75	1.500	.688	.50	3/4	1.000	210	2.4
		6198-08-12DM8								---	---	
3/4	1/2	6197-12-08DM10	2.50	2.62	1.70	1.875	.875	.75	1/2	1.250	214	2.6
		6198-12-08DM10								---	---	
3/4	3/4	6197-12-12DM10	2.50	2.62	1.70	1.875	.875	.75	3/4	1.250	214	2.5
		6198-12-12DM10								---	---	
1	3/4	6197-16-12DM10	3.00	2.82	1.94	2.062	1.031	1.00	3/4	1.562	219	3.7
		6198-16-12DM10								---	---	
1	1	6197-16-16DM10	3.00	2.82	1.94	2.062	1.031	1.00	1	1.562	219	3.5
		6198-16-16DM10								---	---	
1 1/4	1 1/4	6197-20-20DM10†	3.50	3.19	2.40	2.312	1.188	1.25	1 1/4	1.750	222	5.3
		6198-20-20DM10†								---	---	
1 1/2	1 1/2	6197-24-24DM12‡	4.00	3.75	2.90	2.750	1.406	1.50	1 1/2	2.125	225	9.5
		6198-24-24DM12‡								---	---	
2	2	6197-32-32DM12‡	4.50	4.00	2.96	3.062	1.688	1.94	2	2.500	228	10.0
		6198-32-32DM12‡								---	---	
2 1/2 <sup>②</sup>	2 1/2	6197-40-40DM12‡	5.00	4.50	3.96	3.500	2.000	2.44	2 1/2	3.000	232	18.0
		6198-40-40DM12‡								---	---	
3 <sup>③</sup>	3	6197-48-48DM16	6.00	5.31	4.46	4.188	2.438	2.94	3	3.625	237	27.0
		6198-48-48DM16								---	---	

MATERIAL:  
**316L Stainless**



Model 6197 / 6199

Model 6198 / 6200

3181 TRI-PARK DR. GRAND BLANC, MI 48439 800-521-7918 810-953-1380 FAX 810-953-1385 INFO@MAINMFG.COM

## SAE J518 62 SERIES / ISO6162-2 PATTERN

FLANGE SIZE	PIPE SIZE	PART NUMBER	A	B	C	D	E	F	K	L	O-RING <sup>①</sup>	WT
1/2	1/2	6199-08-08DM8	2.00	2.22	1.46	1.594	.718	.50	1/2	1.000	210	1.5
		6200-08-08DM8								---	---	
3/4	3/4	6199-12-12DM10	2.50	2.81	1.70	2.000	.937	.75	3/4	1.250	214	2.7
		6200-12-12DM10								---	---	
1	1	6199-16-16DM12	3.00	3.19	1.96	2.250	1.093	1.00	1	1.562	219	4.2
		6200-16-16DM12								---	---	
1 1/4	1 1/4	6199-20-20DM12‡	4.00	3.75	2.44	2.625	1.250	1.25	1 1/4	1.750	222	6.5
		6200-20-20DM12‡								---	---	
1 1/2	1 1/2	6199-24-24DM16	4.00	4.50	2.96	3.125	1.437	1.50	1 1/2	2.125	225	11.7
		6200-24-24DM16								---	---	
2	2	6199-32-32DM20	5.00	5.25	3.46	3.812	1.750	1.94	2	2.500	228	20.0
		6200-32-32DM20								---	---	
2 1/2	2 1/2	6199-40-40DM24	6.00	6.88	4.00	4.875	2.312	2.44	2 1/2	3.000	232	34.6
		6200-40-40DM24								---	---	
3	3	6199-48-48DM30	7.00	8.50	5.00	6.000	2.812	2.94	3	3.625	237	62.1
		6200-48-48DM30								---	---	

① Includes Buna-N O-Ring ② 2500 PSI Max ③ 2000 PSI Max

NOTE: DIMENSIONS ARE IN INCHES UNLESS OTHERWISE NOTED. † Also Available for M12 Bolts ‡ Also Available for M14 Bolts

© Copyright MAIN Mfg. 2017