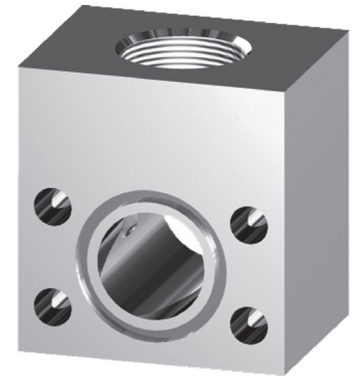
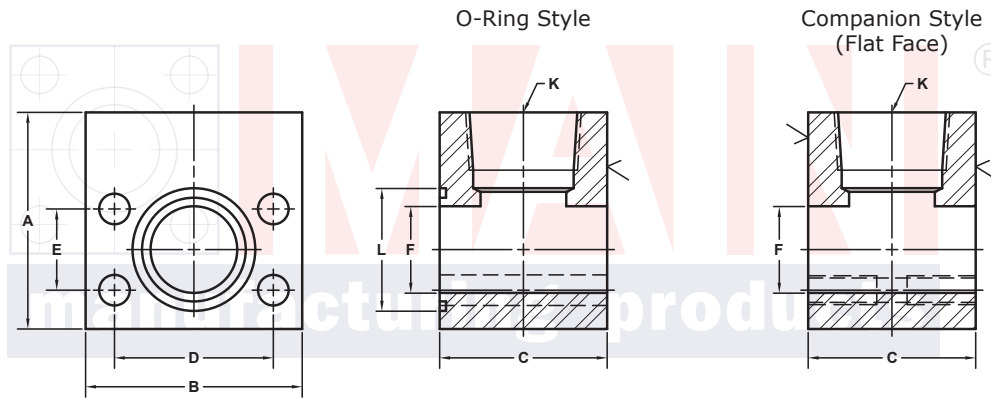


NPTF THREADED RUN TEE FLANGES

SAE J518 61 SERIES / ISO6162-1 PATTERN

| FLANGE SIZE | PIPE SIZE | PART NUMBER | A | B | C | D | E | F | K | L | O-RING ^① | WT |
|---------------------------|--------------|----------------------------|------|------|------|-------|-------|------|-------|-------|---------------------|------|
| 1/2 | 1/2 | 1197-08-08M8 | 2.00 | 2.12 | 1.44 | 1.500 | .688 | .50 | 1/2 | 1.000 | 210 | 1.3 |
| | | 1198-08-08M8 | | | | | | | | --- | --- | |
| 1/2 | 3/4 | 1197-08-12M8 | 2.75 | 2.12 | 1.75 | 1.500 | .688 | .50 | 3/4 | 1.000 | 210 | 2.4 |
| | | 1198-08-12M8 | | | | | | | | --- | --- | |
| 3/4 | 1/2 | 1197-12-08M10 | 2.50 | 2.62 | 1.70 | 1.875 | .875 | .75 | 1/2 | 1.250 | 214 | 2.6 |
| | | 1198-12-08M10 | | | | | | | | --- | --- | |
| 3/4 | 3/4 | 1197-12-12M10 | 2.50 | 2.62 | 1.70 | 1.875 | .875 | .75 | 3/4 | 1.250 | 214 | 2.5 |
| | | 1198-12-12M10 | | | | | | | | --- | --- | |
| 1 | 3/4 | 1197-16-12M10 | 3.00 | 2.82 | 1.94 | 2.062 | 1.031 | 1.00 | 3/4 | 1.562 | 219 | 3.7 |
| | | 1198-16-12M10 | | | | | | | | --- | --- | |
| 1 | 1 | 1197-16-16M10 | 3.00 | 2.82 | 1.94 | 2.062 | 1.031 | 1.00 | 1 | 1.562 | 219 | 3.5 |
| | | 1198-16-16M10 | | | | | | | | --- | --- | |
| 1 1/4 | 1 1/4 | 1197-20-20M10 ⁺ | 3.50 | 3.19 | 2.40 | 2.312 | 1.188 | 1.25 | 1 1/4 | 1.750 | 222 | 5.3 |
| | | 1198-20-20M10 ⁺ | | | | | | | | --- | --- | |
| 1 1/2 | 1 1/2 | 1197-24-24M12 ⁺ | 4.00 | 3.75 | 2.90 | 2.750 | 1.406 | 1.50 | 1 1/2 | 2.125 | 225 | 9.5 |
| | | 1198-24-24M12 ⁺ | | | | | | | | --- | --- | |
| 2 | 2 | 1197-32-32M12 ⁺ | 4.50 | 4.00 | 2.96 | 3.062 | 1.688 | 1.94 | 2 | 2.500 | 228 | 10.0 |
| | | 1198-32-32M12 ⁺ | | | | | | | | --- | --- | |
| 2 1/2 ^② | 2 1/2 | 1197-40-40M12 ⁺ | 5.00 | 4.50 | 3.96 | 3.500 | 2.000 | 2.44 | 2 1/2 | 3.000 | 232 | 18.0 |
| | | 1198-40-40M12 ⁺ | | | | | | | | --- | --- | |
| 3 ^③ | 3 | 1197-48-48M16 | 6.00 | 5.31 | 4.46 | 4.188 | 2.438 | 2.94 | 3 | 3.625 | 237 | 27.0 |
| | | 1198-48-48M16 | | | | | | | | --- | --- | |

MATERIAL:
Low Carbon Steel[®]



Model 1197 / 1199

Model 1198 / 1200

3181 TRI-PARK DR. GRAND BLANC, MI 48439 800-521-7918 810-953-1380 FAX 810-953-1385 INFO@MAINMFG.COM

SAE J518 62 SERIES / ISO6162-2 PATTERN

| FLANGE SIZE | PIPE SIZE | PART NUMBER | A | B | C | D | E | F | K | L | O-RING ^① | WT |
|--------------|--------------|----------------------------|------|------|------|-------|-------|------|-------|-------|---------------------|------|
| 1/2 | 1/2 | 1199-08-08M8 | 2.00 | 2.22 | 1.46 | 1.594 | .718 | .50 | 1/2 | 1.000 | 210 | 1.5 |
| | | 1200-08-08M8 | | | | | | | | --- | --- | |
| 3/4 | 3/4 | 1199-12-12M10 | 2.50 | 2.81 | 1.70 | 2.000 | .937 | .75 | 3/4 | 1.250 | 214 | 2.7 |
| | | 1200-12-12M10 | | | | | | | | --- | --- | |
| 1 | 1 | 1199-16-16M12 | 3.00 | 3.19 | 1.96 | 2.250 | 1.093 | 1.00 | 1 | 1.562 | 219 | 4.2 |
| | | 1200-16-16M12 | | | | | | | | --- | --- | |
| 1 1/4 | 1 1/4 | 1199-20-20M12 ⁺ | 4.00 | 3.75 | 2.44 | 2.625 | 1.250 | 1.25 | 1 1/4 | 1.750 | 222 | 6.5 |
| | | 1200-20-20M12 ⁺ | | | | | | | | --- | --- | |
| 1 1/2 | 1 1/2 | 1199-24-24M16 | 4.00 | 4.50 | 2.96 | 3.125 | 1.437 | 1.50 | 1 1/2 | 2.125 | 225 | 11.7 |
| | | 1200-24-24M16 | | | | | | | | --- | --- | |
| 2 | 2 | 1199-32-32M20 | 5.00 | 5.25 | 3.46 | 3.812 | 1.750 | 1.94 | 2 | 2.500 | 228 | 20.0 |
| | | 1200-32-32M20 | | | | | | | | --- | --- | |
| 2 1/2 | 2 1/2 | 1199-40-40M24 | 6.00 | 6.88 | 4.00 | 4.875 | 2.312 | 2.44 | 2 1/2 | 3.000 | 232 | 34.6 |
| | | 1200-40-40M24 | | | | | | | | --- | --- | |
| 3 | 3 | 1199-48-48M30 | 7.00 | 8.50 | 5.00 | 6.000 | 2.812 | 2.94 | 3 | 3.625 | 237 | 62.1 |
| | | 1200-48-48M30 | | | | | | | | --- | --- | |

① Includes Buna-N O-Ring ② 2500 PSI Max ③ 2000 PSI Max

® May Contain Lead

NOTE: DIMENSIONS ARE IN INCHES UNLESS OTHERWISE NOTED. + Also Available for M12 Bolts † Also Available for M14 Bolts

© Copyright MAIN Mfg. 2017