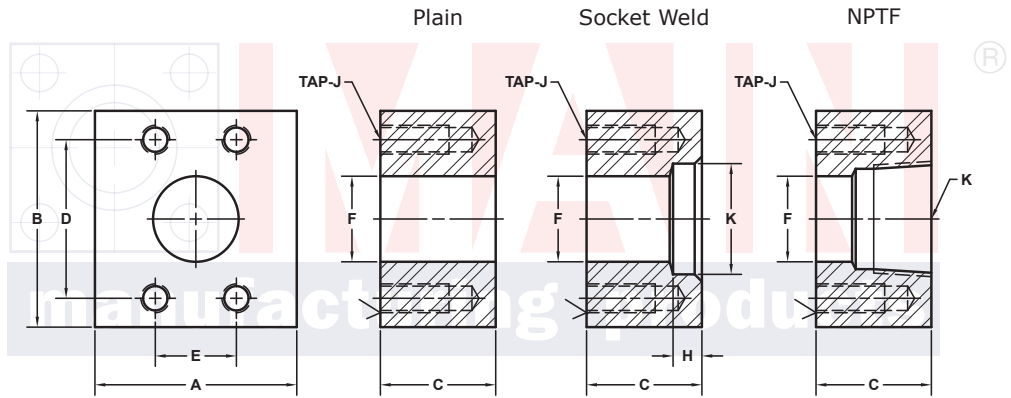
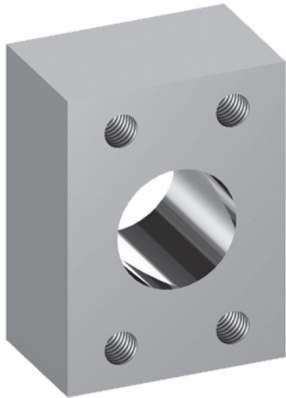


# RESERVOIR ADAPTERS

SAE BOLT PATTERN			61 SERIES									
FLANGE SIZE	PIPE SIZE	PART NUMBER	A	B	C	D	E	F	J	H	K	WT
1/2	1/2	6209-08-08D	1.50	2.12	1.50	1.500	.688	.50	5/16-18	NA	NA	1.2
		6563-08-08D								.38	.860	1.2
		6565-08-08D								NA	1/2" NPTF	1.2
3/4	3/4	6209-12-12D	1.75	2.62	1.50	1.875	.875	.75	3/8-16	NA	NA	1.7
		6563-12-12D								.50	1.070	1.6
		6565-12-12D								NA	3/4" NPTF	1.6
1	1	6209-16-16D	2.00	2.82	1.50	2.062	1.031	1.00	3/8-16	NA	NA	2.0
		6563-16-16D								.50	1.335	1.9
		6565-16-16D								NA	1" NPTF	1.9
1 1/4	1 1/4	6209-20-20D	2.50	3.19	1.75	2.312	1.188	1.25	7/16-14	NA	NA	3.2
		6563-20-20D								.50	1.680	3.0
		6565-20-20D								NA	1 1/4" NPTF	3.0
1 1/2	1 1/2	6209-24-24D	2.75	3.75	1.75	2.750	1.406	1.50	1/2-13	NA	NA	4.0
		6563-24-24D								.50	1.920	3.8
		6565-24-24D								NA	1 1/2" NPTF	3.8
2	2	6209-32-32D	3.25	4.00	1.75	3.062	1.688	1.94	1/2-13	NA	NA	4.8
		6563-32-32D								.62	2.411	4.4
		6565-32-32D								NA	2" NPTF	4.4
2 1/2 <sup>②</sup>	2 1/2	6209-40-40D	4.00	4.50	2.00	3.500	2.000	2.44	1/2-13	NA	NA	7.3
		6563-40-40D								.75	2.911	6.8
		6565-40-40D								NA	2 1/2" NPTF	7.0
3 <sup>③</sup>	3	6209-48-48D	4.50	5.31	2.25	4.188	2.438	2.94	5/8-11	NA	NA	10.5
		6563-48-48D								.75	3.540	9.8
		6565-48-48D								NA	3" NPTF	9.7

MATERIAL:  
316L Stainless



Model 6209 / 6210    Model 6563 / 6564    Model 6565 / 6566

3181 TRI-PARK DR.    GRAND BLANC, MI 48439    800-521-7918    810-953-1380    FAX 810-953-1385    INFO@MAINMFG.COM

SAE BOLT PATTERN			62 SERIES									
FLANGE SIZE	PIPE SIZE	PART NUMBER	A	B	C	D	E	F	J	H	K	WT
1/2	1/2	6210-08-08D	1.75	2.22	1.50	1.594	.718	.50	5/16-18	NA	NA	1.5
		6564-08-08D								.50	.860	1.4
		6566-08-08D								NA	1/2" NPTF	1.5
3/4	3/4	6210-12-12D	2.00	2.81	1.75	2.000	.937	.75	3/8-16	NA	NA	2.5
		6564-12-12D								.50	1.070	2.4
		6566-12-12D								NA	3/4" NPTF	2.4
1	1	6210-16-16D	2.25	3.19	1.75	2.250	1.093	1.00	7/16-14	NA	NA	3.0
		6564-16-16D								.50	1.335	2.9
		6566-16-16D								NA	1" NPTF	2.9
1 1/4	1 1/4	6210-20-20D	2.75	3.75	1.75	2.625	1.250	1.25	1/2-13	NA	NA	4.3
		6564-20-20D								.50	1.680	4.1
		6566-20-20D								NA	1 1/4" NPTF	4.1
1 1/2	1 1/2	6210-24-24D	3.25	4.50	2.25	3.125	1.437	1.50	5/8-11	NA	NA	7.8
		6564-24-24D								.50	1.920	7.6
		6566-24-24D								NA	1 1/2" NPTF	7.5
2	2	6210-32-32D	4.00	5.25	2.50	3.812	1.750	1.94	3/4-10	NA	NA	12.0
		6564-32-32D								.62	2.411	11.7
		6566-32-32D								NA	2" NPTF	11.7

② 2500 PSI Max    ③ 2000 PSI Max