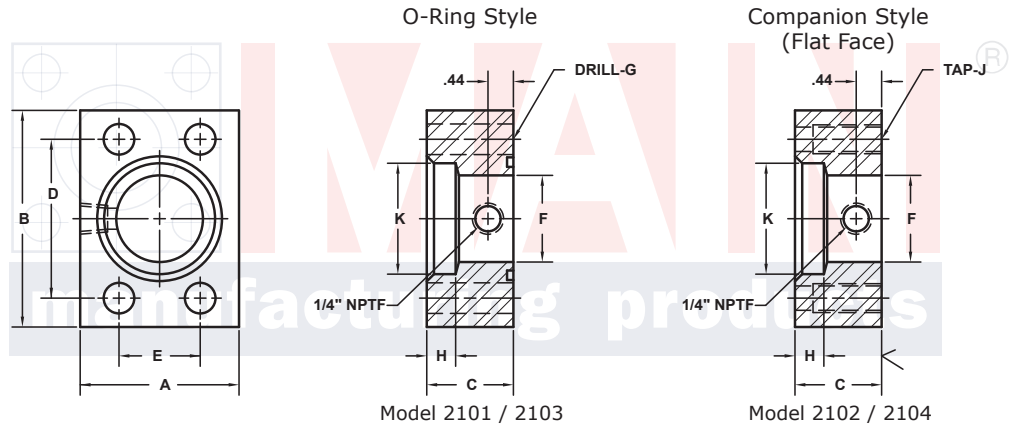
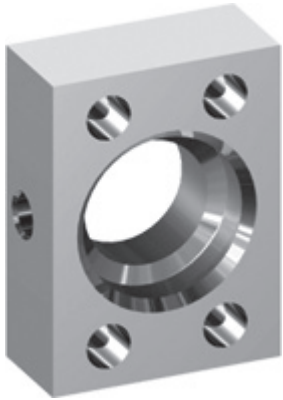


SOCKET WELD PIPE IN-LINE FLANGES (Pg 1/2)

WITH 1/4" NPTF GAUGE PORT ⑥

| SAE BOLT PATTERN | | | 61 SERIES | | | | | | | | | | | | | |
|------------------|-----------|-------------|-----------|------|------|-------|-------|------|---------|-----|-------|---|---------------|-----------------|--------|-----|
| FLANGE SIZE | PIPE SIZE | PART NUMBER | A | B | C | D | E | F | G | | H | K | MOUNTING KIT® | | | WT |
| | | | | | | | | | J | | | | PART NO. | SCREW SIZE | O-RING | |
| 1/2 | 1/2 | 2101-08-08 | 1.50 | 2.12 | 1.25 | 1.500 | .688 | .50 | .34 | .38 | .860 | | MK 519 | 5/16-18 x 1 3/4 | 210 | .7 |
| | | 2102-08-08 | | | | | | | 5/16-18 | | | | | | | |
| 3/4 | 1/2 | 2101-12-08 | 1.75 | 2.62 | 1.25 | 1.875 | .875 | .50 | .41 | .38 | .860 | | MK 520 | 3/8-16 x 2 | 214 | 1.3 |
| | | 2102-12-08 | | | | | | | 3/8-16 | | | | | | | |
| 3/4 | 3/4 | 2101-12-12 | 1.75 | 2.62 | 1.25 | 1.875 | .875 | .75 | .41 | .50 | 1.070 | | MK 520 | 3/8-16 x 2 | 214 | 1.2 |
| | | 2102-12-12 | | | | | | | 3/8-16 | | | | | | | |
| 1 | 3/4 | 2101-16-12 | 2.00 | 2.82 | 1.25 | 2.062 | 1.031 | .75 | .41 | .50 | 1.070 | | MK 1501 | 3/8-16 x 2 | 219 | 1.6 |
| | | 2102-16-12 | | | | | | | 3/8-16 | | | | | | | |
| 1 | 1 | 2101-16-16 | 2.00 | 2.82 | 1.25 | 2.062 | 1.031 | 1.00 | .41 | .50 | 1.335 | | MK 1501 | 3/8-16 x 2 | 219 | 1.5 |
| | | 2102-16-16 | | | | | | | 3/8-16 | | | | | | | |
| 1 1/4 | 1 | 2101-20-16 | 2.50 | 3.19 | 1.25 | 2.312 | 1.188 | 1.00 | .47 | .50 | 1.335 | | MK 1502 | 7/16-14 x 2 | 222 | 2.1 |
| | | 2102-20-16 | | | | | | | 7/16-14 | | | | | | | |
| 1 1/4 | 1 1/4 | 2101-20-20 | 2.50 | 3.19 | 1.25 | 2.312 | 1.188 | 1.25 | .47 | .50 | 1.680 | | MK 1502 | 7/16-14 x 2 | 222 | 2.0 |
| | | 2102-20-20 | | | | | | | 7/16-14 | | | | | | | |
| 1 1/4 | 1 1/2 | ----- | 3.00 | 3.19 | 2.50 | 2.312 | 1.188 | 1.25 | --- | .50 | 1.920 | | ----- | ----- | --- | 5.4 |
| | | 2102-20-24 | | | | | | | 7/16-14 | | | | | | | |
| 1 1/2 | 1 1/4 | 2101-24-20 | 2.75 | 3.75 | 1.25 | 2.750 | 1.406 | 1.25 | .53 | .50 | 1.680 | | MK 505 | 1/2-13 x 2 | 225 | 2.8 |
| | | 2102-24-20 | | | | | | | 1/2-13 | | | | | | | |
| 1 1/2 | 1 1/2 | 2101-24-24 | 2.75 | 3.75 | 1.25 | 2.750 | 1.406 | 1.50 | .53 | .50 | 1.920 | | MK 505 | 1/2-13 x 2 | 225 | 2.5 |
| | | 2102-24-24 | | | | | | | 1/2-13 | | | | | | | |
| 1 1/2 | 2 | ----- | 3.50 | 3.75 | 2.25 | 2.750 | 1.406 | 1.50 | --- | .50 | 2.411 | | ----- | ----- | --- | 3.2 |
| | | 2102-24-32 | | | | | | | 1/2-13 | | | | | | | |

MATERIAL:
Low Carbon Steel



3181 TRI-PARK DR. GRAND BLANC, MI 48439 800-521-7918 810-953-1380 FAX 810-953-1385 INFO@MAINMFG.COM

| SAE BOLT PATTERN | | | 62 SERIES | | | | | | | | | | | | | |
|------------------|-----------|-------------|-----------|------|------|-------|-------|------|---------|-----|-------|---|---------------|-----------------|--------|-----|
| FLANGE SIZE | PIPE SIZE | PART NUMBER | A | B | C | D | E | F | G | | H | K | MOUNTING KIT® | | | WT |
| | | | | | | | | | J | | | | PART NO. | SCREW SIZE | O-RING | |
| 1/2 | 1/2 | 2103-08-08 | 1.75 | 2.22 | 1.25 | 1.594 | .718 | .50 | .34 | .50 | .860 | | MK 519 | 5/16-18 x 1 3/4 | 210 | 1.1 |
| | | 2104-08-08 | | | | | | | 5/16-18 | | | | | | | |
| 3/4 | 1/2 | 2103-12-08 | 2.00 | 2.81 | 1.25 | 2.000 | .937 | .50 | .41 | .50 | .860 | | MK 520 | 3/8-16 x 2 | 214 | 1.6 |
| | | 2104-12-08 | | | | | | | 3/8-16 | | | | | | | |
| 3/4 | 3/4 | 2103-12-12 | 2.00 | 2.81 | 1.25 | 2.000 | .937 | .75 | .41 | .50 | 1.070 | | MK 520 | 3/8-16 x 2 | 214 | 1.5 |
| | | 2104-12-12 | | | | | | | 3/8-16 | | | | | | | |
| 1 | 3/4 | 2103-16-12 | 2.25 | 3.19 | 1.25 | 2.250 | 1.093 | .75 | .47 | .50 | 1.070 | | MK 1504 | 7/16-14 x 2 | 219 | 2.1 |
| | | 2104-16-12 | | | | | | | 7/16-14 | | | | | | | |
| 1 | 1 | 2103-16-16 | 2.25 | 3.19 | 1.25 | 2.250 | 1.093 | 1.00 | .47 | .50 | 1.335 | | MK 1504 | 7/16-14 x 2 | 219 | 1.9 |
| | | 2104-16-16 | | | | | | | 7/16-14 | | | | | | | |
| 1 1/4 | 1 | 2103-20-16 | 2.75 | 3.75 | 1.25 | 2.625 | 1.250 | 1.00 | .53 | .50 | 1.335 | | MK 514 | 1/2-13 x 2 | 222 | 2.9 |
| | | 2104-20-16 | | | | | | | 1/2-13 | | | | | | | |
| 1 1/4 | 1 1/4 | 2103-20-20 | 2.75 | 3.75 | 1.25 | 2.625 | 1.250 | 1.25 | .53 | .50 | 1.680 | | MK 514 | 1/2-13 x 2 | 222 | 2.7 |
| | | 2104-20-20 | | | | | | | 1/2-13 | | | | | | | |
| 1 1/4 | 1 1/2 | ----- | 3.00 | 3.75 | 2.00 | 2.625 | 1.250 | 1.25 | --- | .50 | 1.920 | | ----- | ----- | --- | 5.1 |
| | | 2104-20-24 | | | | | | | 1/2-13 | | | | | | | |

① Order Separately

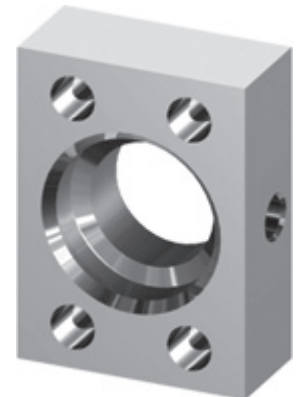
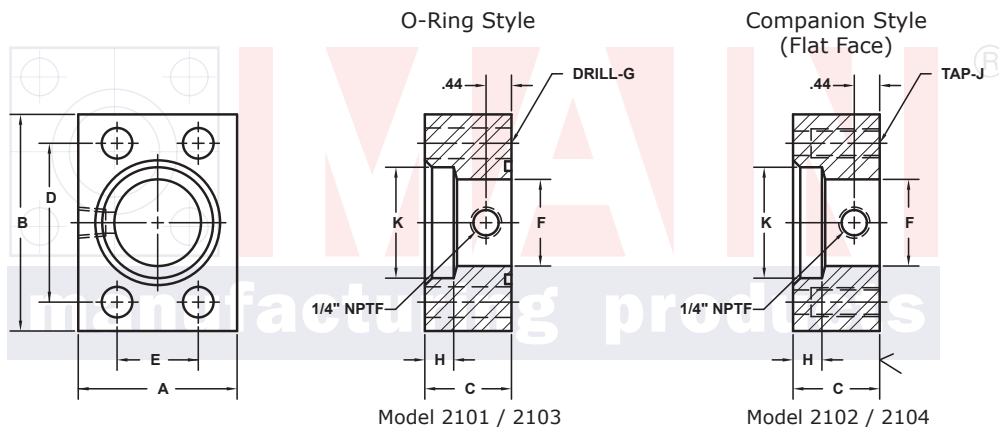
⑥ Also available with 7/16-20 (-4) or 9/16-18 (-6) SAE GAUGE PORT

SOCKET WELD PIPE IN-LINE FLANGES (Pg 2/2)

WITH 1/4" NPTF GAUGE PORT ©

| SAE BOLT PATTERN | | | | | | | | | | 61 SERIES | | | | | |
|--------------------|-----------|-------------|------|------|------|-------|-------|------|--------|-----------|-------|---------------|----------------|--------|------|
| FLANGE SIZE | PIPE SIZE | PART NUMBER | A | B | C | D | E | F | G J | H | K | MOUNTING KIT® | | | WT |
| | | | | | | | | | | | | PART NO. | SCREW SIZE | O-RING | |
| 2 | 1 1/4 | 2101-32-20 | 3.25 | 4.00 | 1.50 | 3.062 | 1.688 | 1.25 | .53 | .50 | 1.680 | MK 506 | 1/2-13 x 2 1/4 | 228 | 4.5 |
| | | 2102-32-20 | | | | | | | 1/2-13 | | | | | | |
| 2 | 1 1/2 | 2101-32-24 | 3.25 | 4.00 | 1.50 | 3.062 | 1.688 | 1.50 | .53 | .50 | 1.920 | MK 506 | 1/2-13 x 2 1/4 | 228 | 4.3 |
| | | 2102-32-24 | | | | | | | 1/2-13 | | | | | | |
| 2 | 2 | 2101-32-32 | 3.25 | 4.00 | 1.50 | 3.062 | 1.688 | 1.94 | .53 | .62 | 2.411 | MK 506 | 1/2-13 x 2 1/4 | 228 | 3.6 |
| | | 2102-32-32 | | | | | | | 1/2-13 | | | | | | |
| 2 1/2 ^② | 2 | 2101-40-32 | 4.00 | 4.50 | 1.75 | 3.500 | 2.000 | 1.94 | .53 | .62 | 2.411 | MK 507 | 1/2-13 x 2 1/2 | 232 | 6.8 |
| | | 2102-40-32 | | | | | | | 1/2-13 | | | | | | |
| 2 1/2 ^② | 2 1/2 | 2101-40-40 | 4.00 | 4.50 | 1.75 | 3.500 | 2.000 | 2.44 | .53 | .75 | 2.911 | MK 507 | 1/2-13 x 2 1/2 | 232 | 5.7 |
| | | 2102-40-40 | | | | | | | 1/2-13 | | | | | | |
| 3 ^③ | 2 1/2 | 2101-48-40 | 4.50 | 5.31 | 2.00 | 4.188 | 2.438 | 2.44 | .66 | .75 | 2.911 | MK 508 | 5/8-11 x 3 | 237 | 9.7 |
| | | 2102-48-40 | | | | | | | 5/8-11 | | | | | | |
| 3 ^③ | 3 | 2101-48-48 | 4.50 | 5.31 | 2.00 | 4.188 | 2.438 | 2.94 | .66 | .75 | 3.540 | MK 508 | 5/8-11 x 3 | 237 | 8.3 |
| | | 2102-48-48 | | | | | | | 5/8-11 | | | | | | |
| 3 1/2 ^④ | 3 | 2101-56-48 | 5.00 | 6.00 | 1.50 | 4.750 | 2.750 | 2.94 | .66 | .75 | 3.540 | MK 509 | 5/8-11 x 2 1/2 | 241 | 8.5 |
| | | 2102-56-48 | | | | | | | 5/8-11 | | | | | | |
| 3 1/2 ^④ | 3 1/2 | 2101-56-56 | 5.00 | 6.00 | 1.50 | 4.750 | 2.750 | 3.44 | .66 | .75 | 4.045 | MK 509 | 5/8-11 x 2 1/2 | 241 | 7.5 |
| | | 2102-56-56 | | | | | | | 5/8-11 | | | | | | |
| 4 ^④ | 4 | 2101-64-64 | 5.50 | 6.38 | 1.50 | 5.125 | 3.062 | 3.94 | .66 | .75 | 4.550 | MK 510 | 5/8-11 x 2 1/2 | 245 | 8.3 |
| | | 2102-64-64 | | | | | | | 5/8-11 | | | | | | |
| 5 ^④ | 5 | 2101-80-80 | 7.00 | 7.25 | 2.00 | 6.000 | 3.625 | 4.94 | .66 | .75 | 5.635 | MK 511 | 5/8-11 x 3 | 253 | 16.0 |
| | | 2102-80-80 | | | | | | | 5/8-11 | | | | | | |

MATERIAL:
Low Carbon Steel



3181 TRI-PARK DR. GRAND BLANC, MI 48439 800-521-7918 810-953-1380 FAX 810-953-1385 INFO@MAINMFG.COM

| SAE BOLT PATTERN | | | | | | | | | | 62 SERIES | | | | | |
|------------------|-----------|-------------|------|------|------|-------|-------|------|---------|-----------|-------|---------------|-----------------|--------|------|
| FLANGE SIZE | PIPE SIZE | PART NUMBER | A | B | C | D | E | F | G J | H | K | MOUNTING KIT® | | | WT |
| | | | | | | | | | | | | PART NO. | SCREW SIZE | O-RING | |
| 1 1/2 | 1 1/4 | 2103-24-20 | 3.25 | 4.50 | 1.50 | 3.125 | 1.437 | 1.25 | .66 | .50 | 1.680 | MK 515 | 5/8-11 x 2 1/2 | 225 | 5.1 |
| | | 2104-24-20 | | | | | | | 5/8-11 | | | | | | |
| 1 1/2 | 1 1/2 | 2103-24-24 | 3.25 | 4.50 | 1.50 | 3.125 | 1.437 | 1.50 | .66 | .50 | 1.920 | MK 515 | 5/8-11 x 2 1/2 | 225 | 4.8 |
| | | 2104-24-24 | | | | | | | 5/8-11 | | | | | | |
| 1 1/2 | 2 | ----- | 4.00 | 4.50 | 3.00 | 3.125 | 1.437 | 1.50 | --- | .62 | 2.411 | ----- | ----- | --- | 12.6 |
| | | 2104-24-32 | | | | | | | 5/8-11 | | | | | | |
| 2 | 1 1/2 | 2103-32-24 | 4.00 | 5.25 | 1.75 | 3.812 | 1.750 | 1.50 | .78 | .50 | 1.920 | MK 516 | 3/4-10 x 3 | 228 | 8.5 |
| | | 2104-32-24 | | | | | | | 3/4-10 | | | | | | |
| 2 | 2 | 2103-32-32 | 4.00 | 5.25 | 1.75 | 3.812 | 1.750 | 1.94 | .78 | .62 | 2.411 | MK 516 | 3/4-10 x 3 | 228 | 7.8 |
| | | 2104-32-32 | | | | | | | 3/4-10 | | | | | | |
| 2 1/2 | 2 | 2103-40-32 | 5.00 | 6.88 | 2.00 | 4.875 | 2.312 | 1.94 | .94 | .62 | 2.411 | MK 517 | 7/8-9 x 3 1/2 | 232 | 15.7 |
| | | 2104-40-32 | | | | | | | 7/8-9 | | | | | | |
| 2 1/2 | 2 1/2 | 2103-40-40 | 5.00 | 6.88 | 2.00 | 4.875 | 2.312 | 2.44 | .94 | .62 | 2.911 | MK 517 | 7/8-9 x 3 1/2 | 232 | 15.2 |
| | | 2104-40-40 | | | | | | | 7/8-9 | | | | | | |
| 3 | 3 | 2103-48-48 | 6.00 | 8.50 | 2.50 | 6.000 | 2.812 | 2.94 | 1.19 | .62 | 3.540 | MK 718 | 1 1/8-7 x 4 1/2 | 237 | 28.0 |
| | | 2104-48-48 | | | | | | | 1 1/8-7 | | | | | | |

① Order Separately ② 2500 PSI Max ③ 2000 PSI Max ④ 500 PSI Max
 ⑥ Also available with 7/16-20 (-4) or 9/16-18 (-6) SAE GAUGE PORT