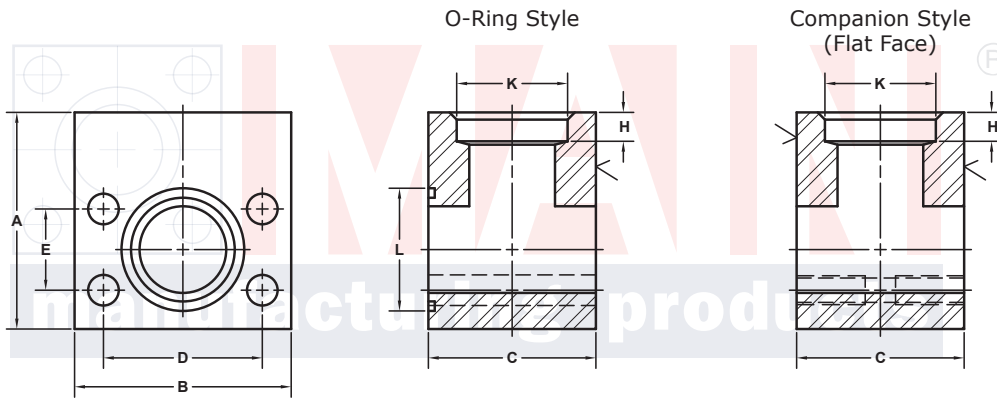


SOCKET WELD PIPE RUN TEE FLANGES

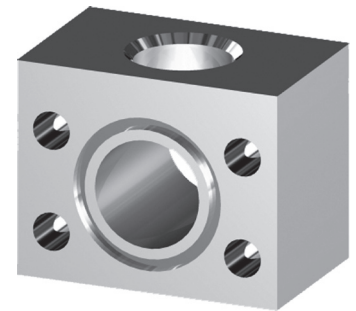
| SAE BOLT PATTERN | | | 61 SERIES | | | | | | | | | |
|--------------------|-----------|-------------|-----------|------|------|-------|-------|-----|-------|-------|---------------------|------|
| FLANGE SIZE | PIPE SIZE | PART NUMBER | A | B | C | D | E | H | K | L | O-RING ^① | WT |
| 1/2 | 1/2 | 6189-08-08D | 1.75 | 2.12 | 1.44 | 1.500 | .688 | .38 | .860 | 1.000 | 210 | 1.3 |
| | | 6190-08-08D | | | | | | | | --- | --- | |
| 3/4 | 3/4 | 6189-12-12D | 2.00 | 2.62 | 1.70 | 1.875 | .875 | .50 | 1.070 | 1.250 | 214 | 2.0 |
| | | 6190-12-12D | | | | | | | | --- | --- | |
| 1 | 1 | 6189-16-16D | 2.25 | 2.82 | 1.94 | 2.062 | 1.031 | .50 | 1.335 | 1.562 | 219 | 2.7 |
| | | 6190-16-16D | | | | | | | | --- | --- | |
| 1 1/4 | 1 1/4 | 6189-20-20D | 2.75 | 3.19 | 2.40 | 2.312 | 1.188 | .50 | 1.680 | 1.750 | 222 | 4.8 |
| | | 6190-20-20D | | | | | | | | --- | --- | |
| 1 1/2 | 1 1/2 | 6189-24-24D | 3.00 | 3.75 | 2.90 | 2.750 | 1.406 | .50 | 1.920 | 2.125 | 225 | 7.0 |
| | | 6190-24-24D | | | | | | | | --- | --- | |
| 2 | 2 | 6189-32-32D | 3.50 | 4.00 | 3.40 | 3.062 | 1.688 | .50 | 2.411 | 2.500 | 228 | 9.5 |
| | | 6190-32-32D | | | | | | | | --- | --- | |
| 2 1/2 ^② | 2 1/2 | 6189-40-40D | 4.00 | 4.50 | 3.96 | 3.500 | 2.000 | .50 | 2.911 | 3.000 | 232 | 15.0 |
| | | 6190-40-40D | | | | | | | | --- | --- | |
| 3 ^③ | 3 | 6189-48-48D | 5.00 | 5.31 | 4.96 | 4.188 | 2.438 | .62 | 3.540 | 3.625 | 237 | 27.2 |
| | | 6190-48-48D | | | | | | | | --- | --- | |
| 3 1/2 ^④ | 3 1/2 | 6189-56-56D | 5.50 | 6.00 | 5.40 | 4.750 | 2.750 | .62 | 4.045 | 4.109 | 241 | 37.0 |
| | | 6190-56-56D | | | | | | | | --- | --- | |
| 4 ^④ | 4 | 6189-64-64D | 6.00 | 6.38 | 5.96 | 5.125 | 3.062 | .62 | 4.550 | 4.609 | 245 | 48.0 |
| | | 6190-64-64D | | | | | | | | --- | --- | |
| 5 ^④ | 5 | 6189-80-80D | 7.00 | 7.25 | 6.90 | 6.000 | 3.625 | .62 | 5.635 | 5.609 | 253 | 60.0 |
| | | 6190-80-80D | | | | | | | | --- | --- | |

MATERIAL:
316L Stainless



Model 6189 / 6191

Model 6190 / 6192



3181 TRI-PARK DR. GRAND BLANC, MI 48439 800-521-7918 810-953-1380 FAX 810-953-1385 INFO@MAINMFG.COM

| SAE BOLT PATTERN | | | 62 SERIES | | | | | | | | | |
|------------------|-----------|-------------|-----------|------|------|-------|-------|-----|-------|-------|---------------------|------|
| FLANGE SIZE | PIPE SIZE | PART NUMBER | A | B | C | D | E | H | K | L | O-RING ^① | WT |
| 1/2 | 1/2 | 6191-08-08D | 2.00 | 2.22 | 1.46 | 1.594 | .718 | .38 | .860 | 1.000 | 210 | 1.5 |
| | | 6192-08-08D | | | | | | | | --- | --- | |
| 3/4 | 3/4 | 6191-12-12D | 2.25 | 2.81 | 1.70 | 2.000 | .937 | .50 | 1.070 | 1.250 | 214 | 2.5 |
| | | 6192-12-12D | | | | | | | | --- | --- | |
| 1 | 1 | 6191-16-16D | 2.50 | 3.19 | 2.21 | 2.250 | 1.093 | .50 | 1.335 | 1.562 | 219 | 4.5 |
| | | 6192-16-16D | | | | | | | | --- | --- | |
| 1 1/4 | 1 1/4 | 6191-20-20D | 3.00 | 3.75 | 2.44 | 2.625 | 1.250 | .50 | 1.680 | 1.750 | 222 | 6.5 |
| | | 6192-20-20D | | | | | | | | --- | --- | |
| 1 1/2 | 1 1/2 | 6191-24-24D | 3.50 | 4.50 | 2.96 | 3.125 | 1.437 | .50 | 1.920 | 2.125 | 225 | 10.0 |
| | | 6192-24-24D | | | | | | | | --- | --- | |
| 2 | 2 | 6191-32-32D | 4.00 | 5.25 | 3.46 | 3.812 | 1.750 | .50 | 2.411 | 2.500 | 228 | 15.0 |
| | | 6192-32-32D | | | | | | | | --- | --- | |
| 2 1/2 | 2 1/2 | 6191-40-40D | 5.50 | 6.88 | 4.50 | 4.875 | 2.312 | .62 | 2.911 | 3.000 | 232 | 34.2 |
| | | 6192-40-40D | | | | | | | | --- | --- | |
| 3 | 3 | 6191-48-48D | 6.00 | 8.50 | 5.00 | 6.000 | 2.812 | .62 | 3.540 | 3.625 | 237 | 48.0 |
| | | 6192-48-48D | | | | | | | | --- | --- | |

① Includes Buna-N O-Ring ② 2500 PSI Max ③ 2000 PSI Max ④ 500 PSI Max