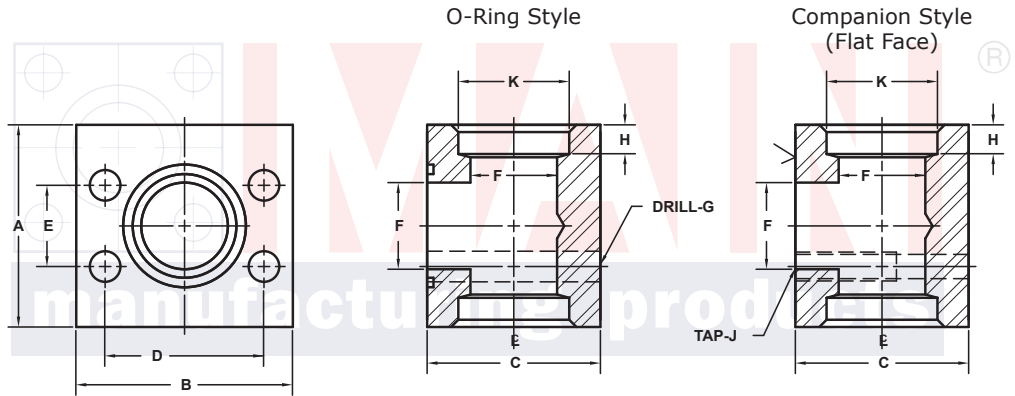
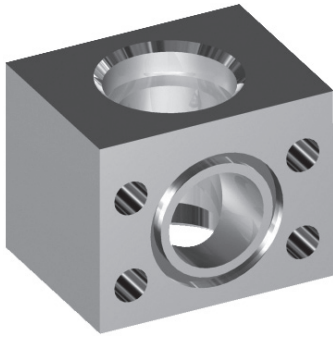


SOCKET WELD TUBE BRANCH TEE FLANGES

SAE J518 61 SERIES / ISO6162-1 PATTERN

FLANGE SIZE	TUBE SIZE	PART NUMBER	A	B	C	D	E	F	Gmm	H	K	MOUNTING KIT®			WT
									Jmm			PART NO.	BOLT SIZE	O-RING	
1/2	1/2	1169-08-08M8	2.00	2.12	1.44	1.500	.688	.31	8.5	.38	.510	MKM 541	M8 x 50	210	1.5
		M8x1.25							-----			---			
1/2	3/4	1169-08-12M8	2.00	2.12	1.44	1.500	.688	.50	8.5	.38	.760	MKM 541	M8 x 50	210	1.4
		M8x1.25							-----			---			
3/4	3/4	1169-12-12M10	2.25	2.62	1.70	1.875	.875	.62	10.5	.38	.760	MKM 542	M10 x 60	214	2.3
		M10x1.5							-----			---			
3/4	1	1169-12-16M10	2.25	2.62	1.70	1.875	.875	.75	10.5	.50	1.010	MKM 542	M10 x 60	214	2.1
		M10x1.5							-----			---			
1	1	1169-16-16M10	2.50	2.82	1.94	2.062	1.031	.75	10.5	.50	1.010	MKM 543	M10 x 65	219	3.0
		M10x1.5							-----			---			
1	1 1/4	1169-16-20M10	2.50	2.82	1.94	2.062	1.031	1.00	10.5	.50	1.260	MKM 543	M10 x 65	219	2.7
		M10x1.5							-----			---			
1 1/4	1 1/4	1169-20-20M10†	3.00	3.19	2.40	2.312	1.188	1.00	10.5	.50	1.260	MKM 4532	M10 x 75	222	4.9
		M10x1.5							-----			---			
1 1/4	1 1/2	1169-20-24M10†	3.00	3.19	2.40	2.312	1.188	1.25	10.5	.50	1.510	MKM 4532	M10 x 75	222	4.5
		M10x1.5							-----			---			
1 1/2	1 1/2	1169-24-24M12‡	3.50	3.75	2.90	2.750	1.406	1.25	13.0	.50	1.510	MKM 4533	M12 x 90	225	8.1
		M12x1.75							-----			---			
1 1/2	1 3/4	1169-24-28M12‡	3.50	3.75	2.90	2.750	1.406	1.50	13.0	.50	1.760	MKM 4533	M12 x 90	225	7.6
		M12x1.75							-----			---			
1 1/2	2	1169-24-32M12‡	3.50	3.75	2.90	2.750	1.406	1.50	13.0	.50	2.010	MKM 4533	M12 x 90	225	7.4
		M12x1.75							-----			---			

MATERIAL:
Low Carbon Steel



Model 1169 / 1171

Model 1170 1172

3181 TRI-PARK DR. GRAND BLANC, MI 48439 800-521-7918 810-953-1380 FAX 810-953-1385 INFO@MAINMFG.COM

SAE J518 62 SERIES / ISO6162-2 PATTERN

FLANGE SIZE	TUBE SIZE	PART NUMBER	A	B	C	D	E	F	Gmm	H	K	MOUNTING KIT®			WT
									Jmm			PART NO.	BOLT SIZE	O-RING	
1/2	3/4	1171-08-12M8	2.00	2.22	1.46	1.594	.718	.50	8.5	.38	.760	MKM 541	M8 x 50	210	1.5
		M8x1.25							-----			---			
3/4	1	1171-12-16M10	2.50	2.81	1.70	2.000	.937	.75	10.5	.50	1.010	MKM 542	M10 x 60	214	2.6
		M10x1.5							-----			---			
1	1	1171-16-16M12	2.75	3.19	2.21	2.250	1.093	.75	12.5	.50	1.010	MKM 2533	M12 x 75	219	4.4
		M12x1.75							-----			---			
1	1 1/4	1171-16-20M12	2.75	3.19	2.21	2.250	1.093	1.00	12.5	.50	1.260	MKM 2533	M12 x 75	219	4.1
		M12x1.75							-----			---			
1 1/4	1 1/4	1171-20-20M12‡	3.00	3.75	2.44	2.625	1.250	1.00	13.0	.50	1.260	MKM 578	M12 x 80	222	6.0
		M12x1.75							-----			---			
1 1/4	1 1/2	1171-20-24M12‡	3.00	3.75	2.44	2.625	1.250	1.25	13.0	.50	1.510	MKM 578	M12 x 80	222	5.7
		M12x1.75							-----			---			
1 1/2	1 3/4	1171-24-28M16	3.50	4.50	2.96	3.125	1.437	1.50	17.0	.50	1.760	MKM 553	M16 x 100	225	9.6
		M16x2							-----			---			
1 1/2	2	1171-24-32M16	3.50	4.50	2.96	3.125	1.437	1.50	17.0	.50	2.010	MKM 553	M16 x 100	225	9.4
		M16x2							-----			---			

① Order Separately