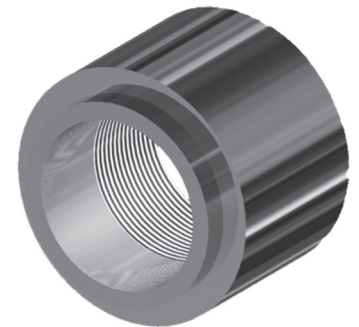
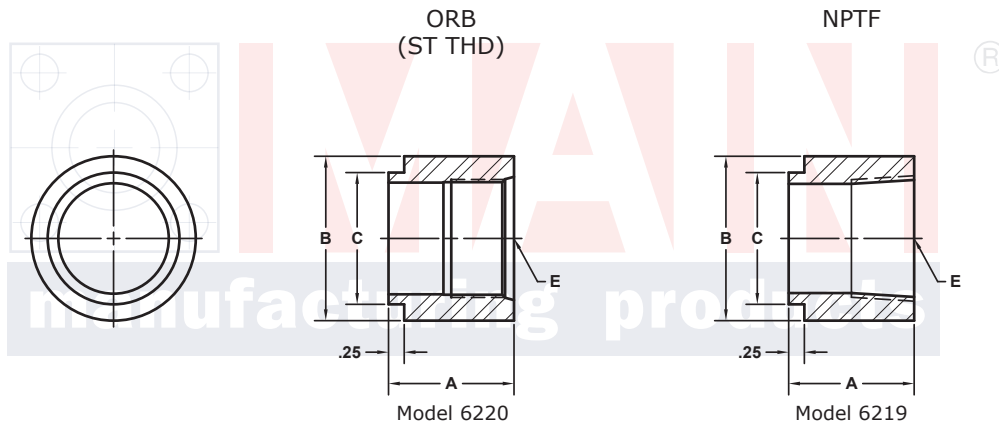


TANK PORT ADAPTERS

SAE J1926 (ORB) TANK PORT

| ORB | PART NUMBER | A | B | C | E | WT |
|------------|-------------|------|------|------|-------------|-----|
| -4 | 6220-04-04D | 1.25 | 1.00 | .73 | 7/16 - 20 | .2 |
| -6 | 6220-06-06D | 1.38 | 1.12 | .73 | 9/16 - 18 | .3 |
| -8 | 6220-08-08D | 1.50 | 1.25 | .86 | 3/4 - 16 | .3 |
| -10 | 6220-10-10D | 1.75 | 1.50 | .98 | 7/8 - 14 | .6 |
| -12 | 6220-12-12D | 2.00 | 1.75 | 1.23 | 1 1/16 - 12 | .9 |
| -14 | 6220-14-14D | 2.00 | 1.88 | 1.36 | 1 3/16 - 12 | .9 |
| -16 | 6220-16-16D | 2.00 | 2.00 | 1.48 | 1 5/16 - 12 | 1.0 |
| -20 | 6220-20-20D | 2.00 | 2.38 | 1.86 | 1 5/8 - 12 | 1.3 |
| -24 | 6220-24-24D | 2.00 | 2.62 | 2.10 | 1 7/8 - 12 | 1.5 |
| -32 | 6220-32-32D | 2.00 | 3.50 | 2.98 | 2 1/2 - 12 | 2.6 |

MATERIAL:
316L Stainless



3181 TRI-PARK DR. GRAND BLANC, MI 48439 800-521-7918 810-953-1380 FAX 810-953-1385 INFO@MAINMFG.COM

NPTF TANK PORT

| SIZE | PART NUMBER | A | B | C | E NPTF | WT |
|--------------|-------------|------|------|------|--------|-----|
| 1/4 | 6219-04-04D | 1.25 | 1.00 | .73 | 1/4 | .2 |
| 3/8 | 6219-06-06D | 1.38 | 1.12 | .73 | 3/8 | .3 |
| 1/2 | 6219-08-08D | 1.50 | 1.25 | .86 | 1/2 | .3 |
| 3/4 | 6219-12-12D | 2.00 | 1.75 | 1.23 | 3/4 | .8 |
| 1 | 6219-16-16D | 2.00 | 2.00 | 1.48 | 1 | 1.1 |
| 1 1/4 | 6219-20-20D | 2.00 | 2.38 | 1.86 | 1 1/4 | 1.3 |
| 1 1/2 | 6219-24-24D | 2.00 | 2.62 | 2.10 | 1 1/2 | 1.6 |
| 2 | 6219-32-32D | 2.00 | 3.50 | 2.98 | 2 | 3.0 |

NOTE: The Pressure Rating of the Assembly Should NOT Exceed the Fitting. Check the Fitting Manufacturer for Details.